

Model 535

38 kHz to 200 kHz

The model 535 is made of ABS plastic and can be recessed into the hull or a fairing. The 535 is useful on installations in aluminum or steel vessels where bronze housings would not be acceptable.

Options:

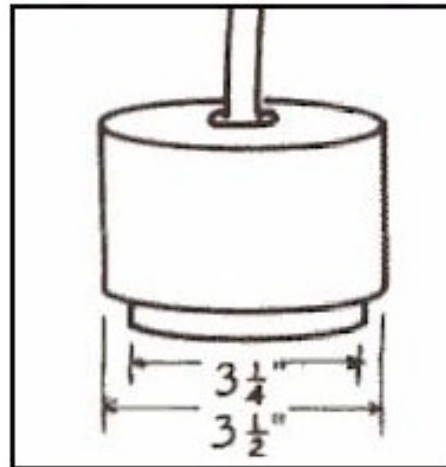
- Temperature sensor.

Applications:

- Safe for all hull material.

Specifications:

- Temperature
 - Type: Thermistor.
 - Value: 10k ohms at 25C.
- Weight: 5.5 lbs.
- Material: ABS plastic.



Performance Data

FREQUENCY (kHz)	BEAM WIDTH (degrees @ -3db)	ELEMENT SIZE (inches)	CAPACITANCE (pf) NOTE (1)	IMPEDANCE (ohms) NOTE (2)	TRANSMIT RESPONSE (db) NOTE (3)	RECEIVE RESPONSE (-db) NOTE (4)	POWER RATING, RMS (watts)	COMMENT
200	7	2.5	3700	200	167	-183	1000	
50	36	2.3	8500	180	165	-180	600	
40	42	2.1	1800	850	162	-179	700	
38	44	2.1	1800	850	160	-175	750	

(1) with standard length cable. (2) equivalent series R in water. (3) the source level generated by one watt input. (4) the open circuit RMS voltage generated by a pressure of one microbar.