

**408B, 408P-
Retractable**

120kHz to 200kHz

The model 408B and 408P both feature a retractable insert that allows for the removal of the transducer without having to haul the vessel out of the water. The housing is of a low profile design that has excellent water flow characteristics and provides for excellent high speed performance with very little drag.

Options:

- Temperature sensor
- Custom element configurations
- Impedance matching

Applications:

- 408B - Fiberglass or wood hulls only.
- 408P – Not for use in wood hulls.

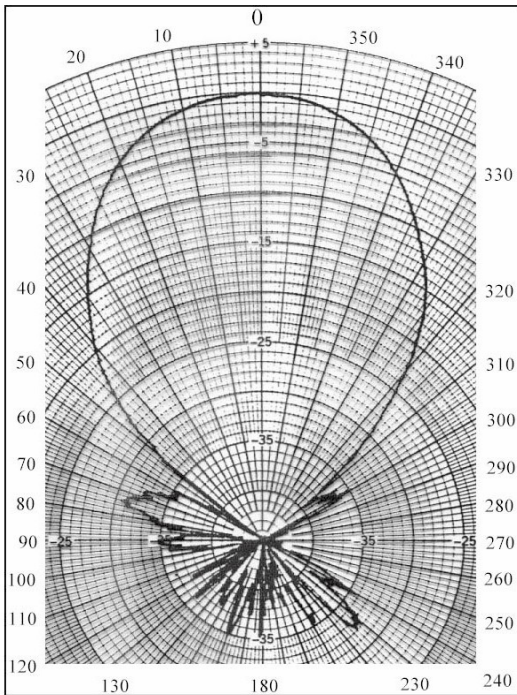


Performance Data

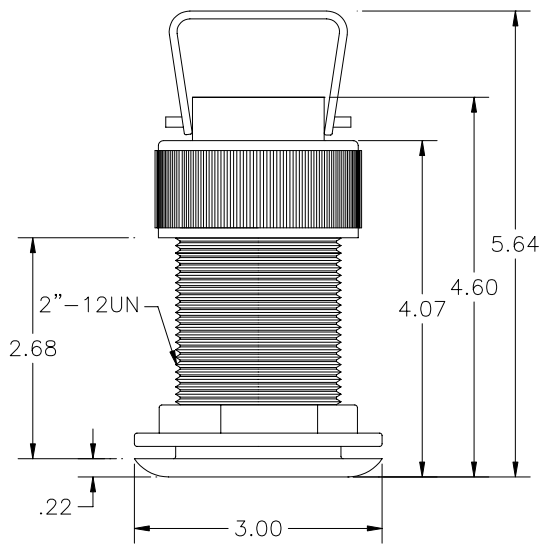
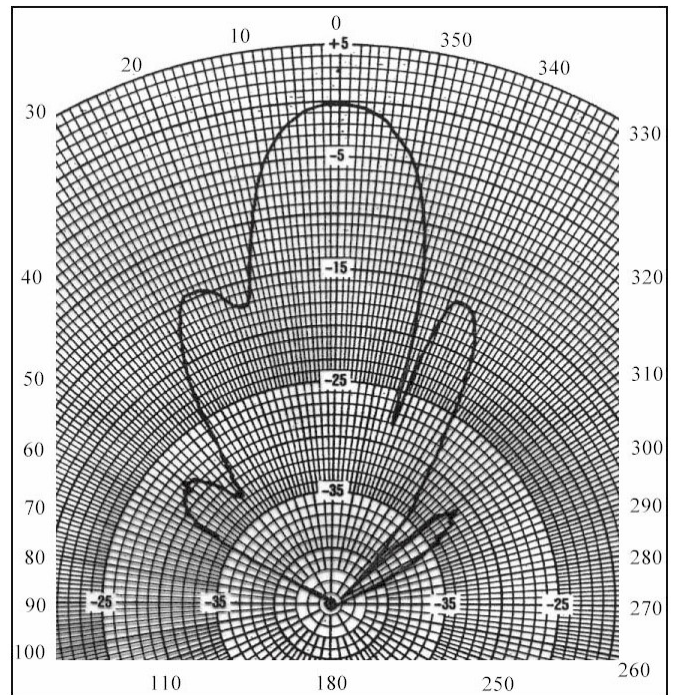
FREQUENCY (kHz)	BEAM WIDTH (degrees @ -3db)	ELEMENT SIZE (inches)	CAPACITANCE (pf) NOTE (1)	IMPEDANCE (ohms) NOTE (2)	TRANSMIT RESPONSE (db) NOTE (3)	RECEIVE RESPONSE (-db) NOTE (4)	POWER RATING, RMS (watts)	COMMENT
200	18	1.1	965	550	157	-189	300	
160	20	1.1	885	750	158	-189	300	
120	38	1.0	1050	500	167	-181	300	

(1) with standard length cable. (2) equivalent series R in water. (3) the source level generated by one watt input. (4) the open circuit RMS voltage generated by a pressure of one microbar.

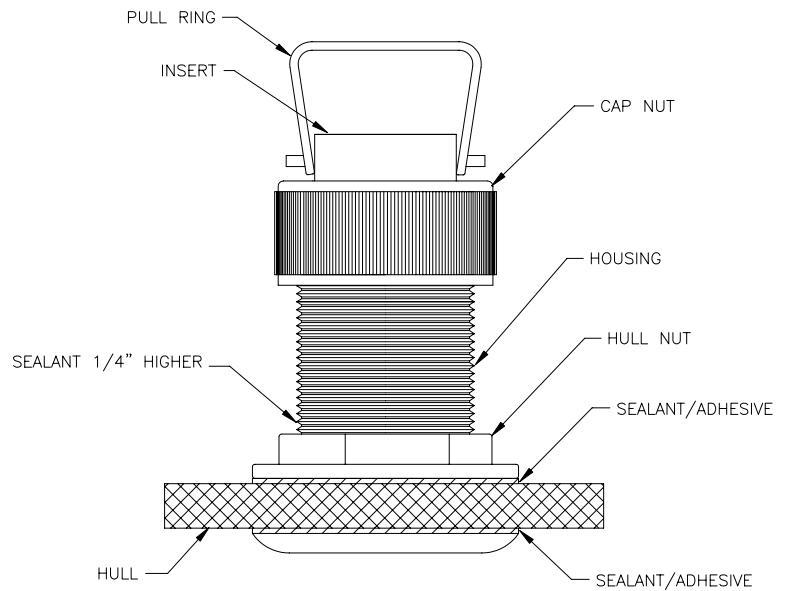
120 kHz Mode – 1” Diameter Element



200Khz – 1.1” Diameter Element



Model 408B Shown for Clarity



Model 408B shown installed