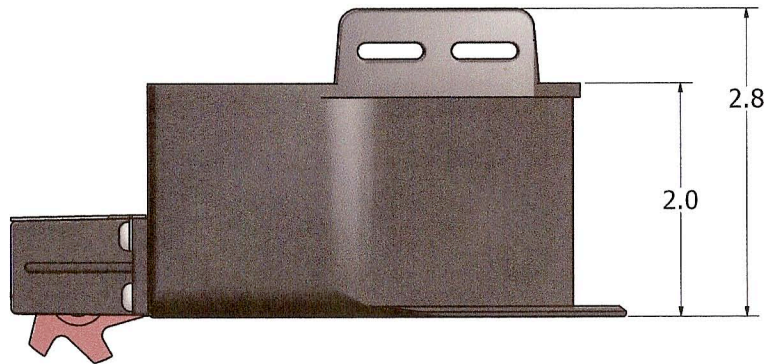
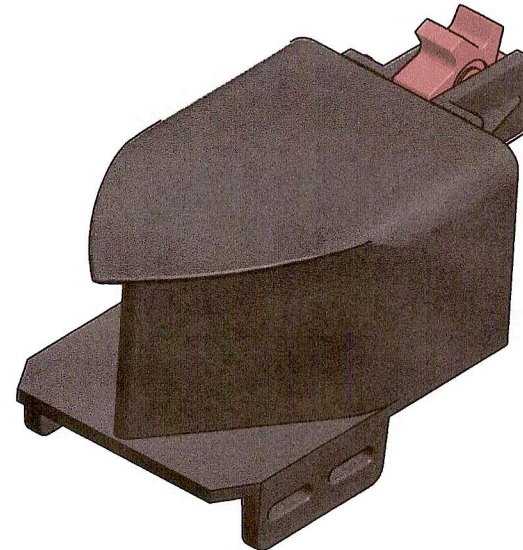
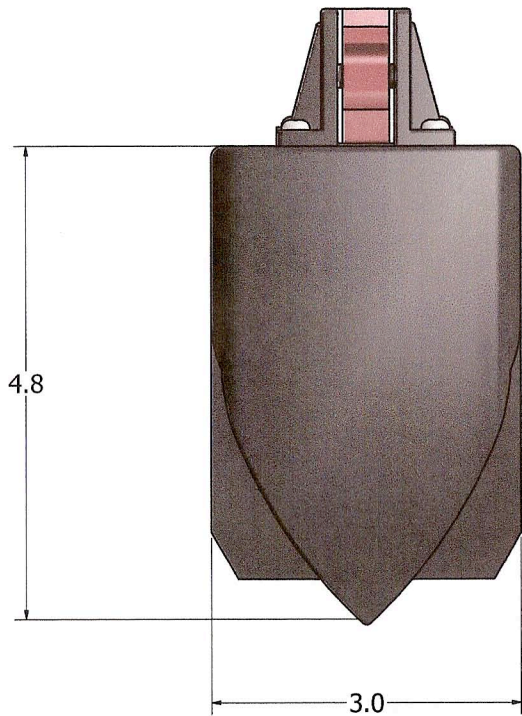


RADARSONICS INC.
 THIS DOCUMENT CONTAINS PROPRIETARY INFORMATION AND,
 EXCEPT WITH WRITTEN PERMISSION OF RADARSONICS INC.,
 SUCH INFORMATION SHALL NOT BE PUBLISHED OR DISCLOSED TO
 OTHERS IN HOLE OR IN PART TO ANYONE EXCEPT AUTHORIZED



UNLESS OTHERWISE SPECIFIED DIMENSIONS ARE IN INCHES TOLERANCES ARE: ANGLES +/- 0° 30' 3 PLACE DECIMALS +/- .010 2 PLACE DECIMALS +/- .03	DRAWN	RADARSONICS INC.	
	CHECKED	1190 N. GROVE ST.	
	QA	ANAHEIM, CA. 92806	
	MFG	TITLE	
MATERIAL	APPROVED	265 TRANSOM 1kW	
POLYCARBONATE	SCALE	SIZE	DWG NO
		C	
			REV
			SHEET 1 OF 1