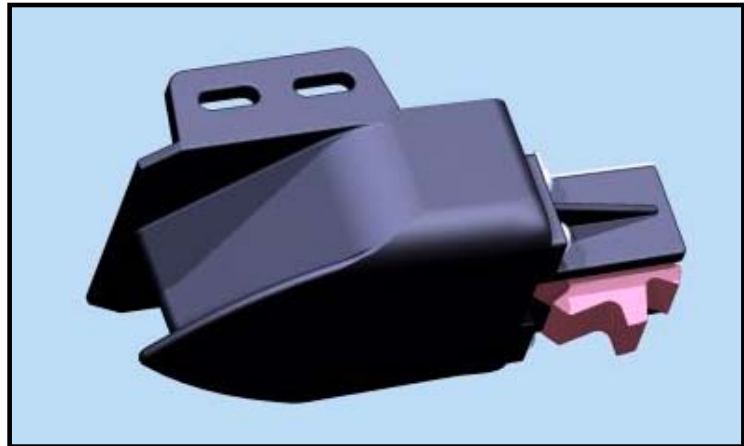


Model 250

50kHz to 200kHz

The Model 250 is designed as a high speed, high performance transom mounted echosounder. Its versatile design allows for the 250 to be configured to suit the demands of the end user. The 250 can accept high performance elements that range in size from 1.1" to 2.0 inches in diameter.



Utilizing the different orderable options for the 250, it may be configured in any combination of depth, depth/temperature or depth/temperature/speed.

Options:

- Temperature sensor
- Speed sensor
- Dual frequency, single element, 50/200kHz
- Dual beam (degrees):
 - 14 & 38 @ 120 kHz
 - 11 & 20 @ 160 kHz
 - 9 & 19 @ 200 kHz

Applications:

- Excellent high speed performance.
- Inboard, Outboard, or jet boats.
- Safe with all types of hull material.

Specifications:

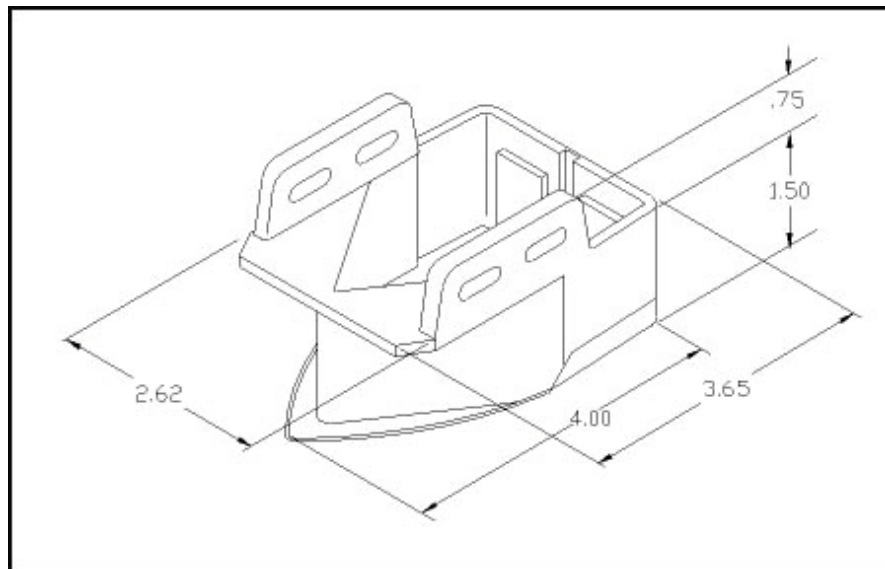
- Speed Sensor
 - Linearity is plus/minus 3% over speed range.
 - 3 pulses per revolution or 22,500 pulses per nautical mile.
- Temperature
 - Type: Thermistor.
 - Value: 10k ohms at 25C.
- Weight: 1.5 lbs.
- Material: Polycarbonate alloy.

Performance Data

FREQUENCY (kHz)	BEAM WIDTH (degrees @ -3db)	ELEMENT SIZE (inches)	CAPACITANCE (pf)	IMPEDANCE (ohms)	TRANSMIT RESPONSE (db)	RECEIVE RESPONSE (-db)	POWER RATING, RMS (watts)	COMMENT
			NOTE (1)	NOTE (2)	NOTE (3)	NOTE (4)		
200	18	1.1	965	550	157	-189	300	
200	12	1.45	1265	480	161	-182	300	
200	11	1.7	1900	300	163	-185	600	Dual frequency, 200 & 50 kHz

Performance Data Continued								
FREQUENCY (kHz)	BEAM WIDTH (degrees @ -3db)	ELEMENT SIZE (inches)	CAPACITANCE (pf)	IMPEDANCE (ohms)	TRANSMIT RESPONSE (db)	RECEIVE RESPONSE (-db)	POWER RATING, RMS (watts)	COMMENT
			NOTE (1)	NOTE (2)	NOTE (3)	NOTE (4)		
200	9	2.0	2185	385	165	-186	600	
160	20	1.1	885	750	158	-189	300	
160	11	2.0	1750	550	164	-183	600	
120	38	1.0	1050	500	167	-181	300	
120	14	2.0	1725	320	164	-171	600	
75	29	1.7	4200	200	160	-184	600	
50	45	1.7	1600	440	156	-173	600	Dual frequency, 200 & 50 kHz
50	43	2.0	4550	265	173	-184	600	

(1) with standard length cable. (2) equivalent series R in water. (3) the source level generated by one watt input. (4) the open circuit RMS voltage generated by a pressure of one microbar.



Model 250 – Shown without mounting brackets.