

Model 237

120kHz to 200kHz

The Model 237 is a smaller version of Model 236. The 237 uses the same mounting brackets and mounting hardware as the 236. The 237 can also be cemented to the inside of the hull and used as a thru-hull transducer.

Options:

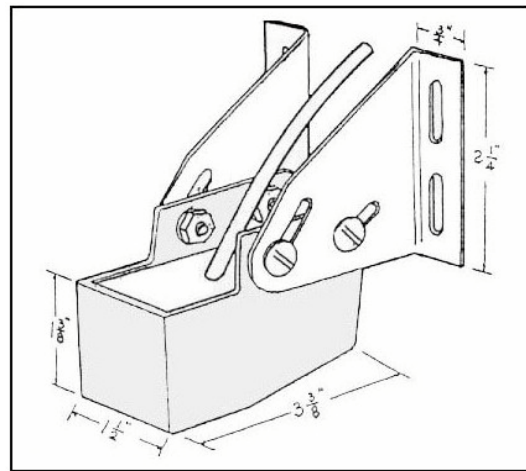
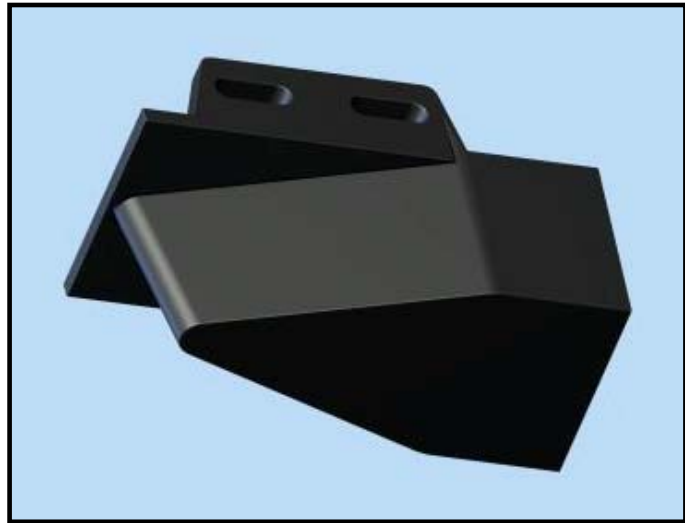
- Temperature sensor.

Applications:

- Good high speed performance.
- Inboard, Outboard, or jet boats.
- Safe with all types of hull material.

Specifications:

- Temperature
 - Type: Thermistor.
 - Value: 10k ohms at 25C.
- Weight: .7 lbs.
- Material: ABS plastic
- Cable – 30’ standard.



Performance Data

FREQUENCY (kHz)	BEAM WIDTH (degrees @ -3db)	ELEMENT SIZE (inches)	CAPACITANCE (pf)	IMPEDANCE (ohms)	TRANSMIT RESPONSE (db)	RECEIVE RESPONSE (-db)	POWER RATING, RMS (watts)	COMMENT
			NOTE (1)	NOTE (2)	NOTE (3)	NOTE (4)		
200	18	1.1	965	550	157	-189	300	
160	20	1.1	885	750	158	-189	300	
120	38	1.0	1050	500	167	-181	300	

(1) with standard length cable. (2) equivalent series R in water. (3) the source level generated by one watt input. (4) the open circuit RMS voltage generated by a pressure of one micro