

Trolling Motor Mounted ■ Recreational ■ Commercial

Model 235 and 240S

50kHz to 200kHz

Both the 235 and 240S models are designed to mount on the underside of trolling motors. Model 240S is the smaller of the two for wide angle elements. They can also be used for thru-the-hull sounding when cemented to the inside of the hull.

Options:

- Temperature sensor

Applications:

- Mounting onto outboard trolling motors.
- Thru the hull sounding.

Specifications:

- Temperature
 - Type: Thermistor.
 - Value: 10k ohms at 25C.
- Weight: Model 235 - .9 lbs.
- Model 240S - .6 lbs.
- Material: Polycarbonate alloy.
- Cable length: 30' standard.



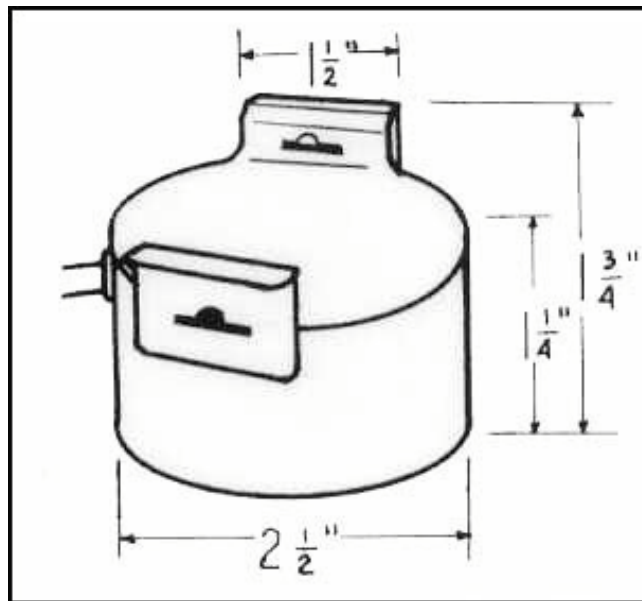
Models 235 and 240S shown

Performance Data

FREQUENCY (kHz)	BEAM WIDTH (degrees @ -3db)	ELEMENT SIZE (inches)	CAPACITANCE (pf)	IMPEDANCE (ohms)	TRANSMIT RESPONSE (db)	RECEIVE RESPONSE (-db)	POWER RATING, RMS (watts)	COMMENT
			NOTE (1)	NOTE (2)	NOTE (3)	NOTE (4)		
200	18	1.1	965	550	157	-189	300	
200	12	1.45	1265	480	161	-182	300	
200	11	1.7	1900	300	163	-185	600	Dual frequency, 200 & 50 kHz

Performance Data Continued								
FREQUENCY (kHz)	BEAM WIDTH (degrees @ -3db)	ELEMENT SIZE (inches)	CAPACITANCE (pf) NOTE (1)	IMPEDANCE (ohms) NOTE (2)	TRANSMIT RESPONSE (db) NOTE (3)	RECEIVE RESPONSE (-db) NOTE (4)	POWER RATING, RMS (watts)	COMMENT
200	9	2.0	2185	385	165	-186	600	
160	20	1.1	885	750	158	-189	300	
160	11	2.0	1750	550	164	-183	600	
120	38	1.0	1050	500	167	-181	300	
120	14	2.0	1725	320	164	-171	600	
75	29	1.7	4200	200	160	-184	600	
50	45	1.7	1600	440	156	-173	600	Dual frequency, 200 & 50 kHz
50	43	2.0	4550	265	173	-184	600	

(1) with standard length cable. (2) equivalent series R in water. (3) the source level generated by one watt input. (4) the open circuit RMS voltage generated by a pressure of one microbar.



Model 235 – Not To Scale.