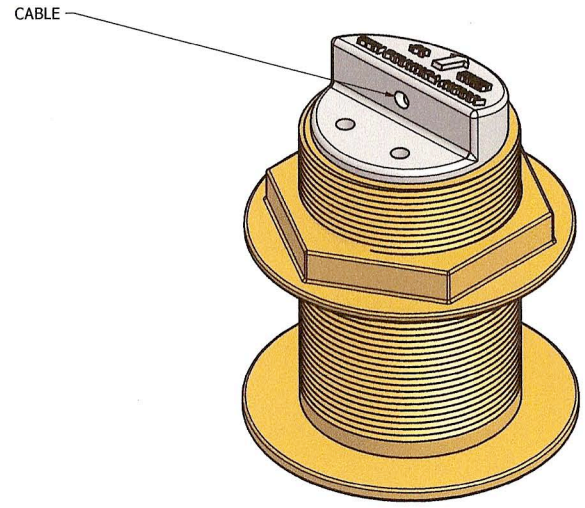
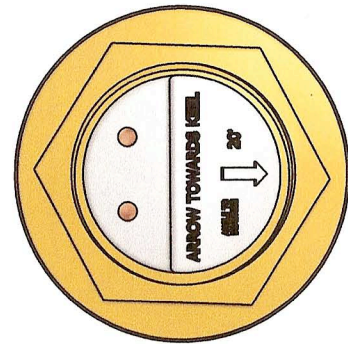
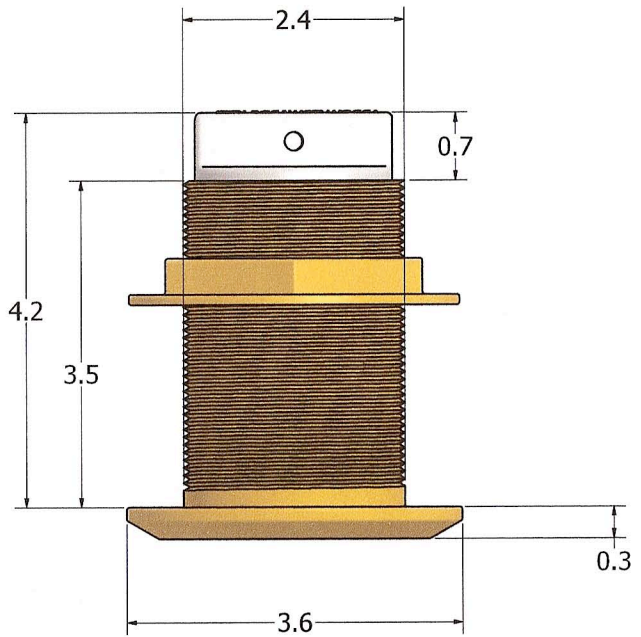


RADARSONICS INC.  
 THIS DOCUMENT CONTAINS PROPRIETARY INFORMATION AND,  
 EXCEPT WITH WRITTEN PERMISSION OF RADARSONICS INC.,  
 SUCH INFORMATION SHALL NOT BE PUBLISHED OR DISCLOSED TO  
 OTHERS IN WHOLE OR IN PART TO ANYONE EXCEPT AUTHORIZED



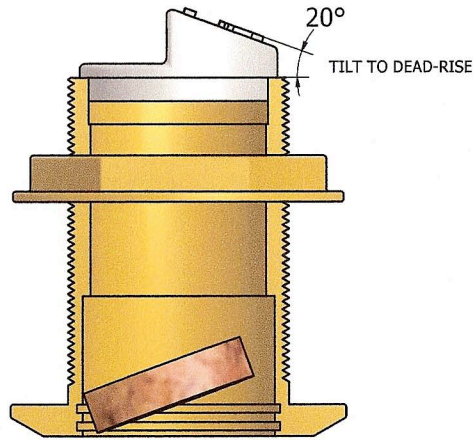
UNLESS OTHERWISE SPECIFIED  
 DIMENSIONS ARE IN INCHES  
 TOLERANCES ARE:  
 ANGLES +/- 0' 30"  
 3 PLACE DECIMALS +/- .010  
 2 PLACE DECIMALS +/- .03

**MATERIAL**  
 BRONZE

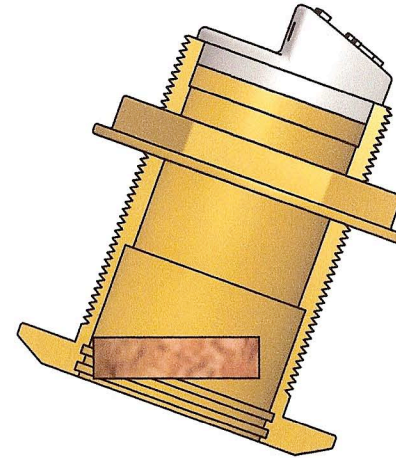
DRAWN	max chavez
CHECKED	
QA	
MFG	
APPROVED	

RADARSONICS INC. 1190 N. GROVE ST. ANAHEIM, CA. 92806		
TITLE <b>210 BRONZE 20° TILT</b> <b>600 WATTS 50 / 200 kHz</b>		
SIZE	DWG NO	REV
C		
SCALE	SHEET 1 of 1	

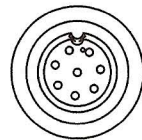
RADARSONICS INC.  
 THIS DOCUMENT CONTAINS PROPRIETARY INFORMATION AND,  
 EXCEPT WITH WRITTEN PERMISSION OF RADARSONICS INC.,  
 SUCH INFORMATION SHALL NOT BE PUBLISHED OR DISCLOSED TO  
 OTHERS IN HOLE OR IN PART TO ANYONE EXCEPT AUTHORIZED



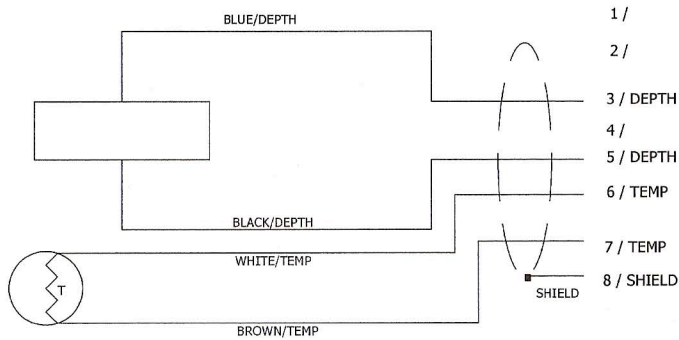
SPLIT VIEW



TILT @ 20° DEGREES



FRONT VIEW  
 CONXALL 8/PIN



UNLESS OTHERWISE SPECIFIED  
 DIMENSIONS ARE IN INCHES  
 TOLERANCES ARE:  
 ANGLES +/- 0' 30'  
 3 PLACE DECIMALS +/- .010  
 2 PLACE DECIMALS +/- .03

**MATERIAL**  
 BRONZE

DRAWN	max chavez
CHECKED	
QA	
MFG	
APPROVED	

RADARSONICS INC.  
 1190 N. GROVE ST.  
 ANAHEIM, CA. 92806

**TITLE**  
 210 BRONZE 20° TILT  
 600 WATTS 50 / 200 kHz

SIZE	DWG NO	REV
C		
SCALE	SHEET 1 OF 1	