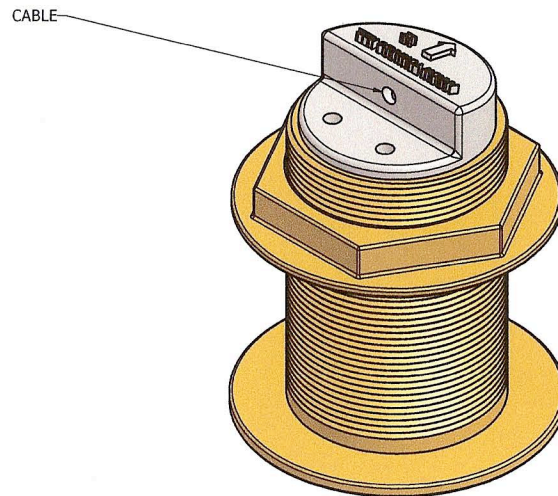
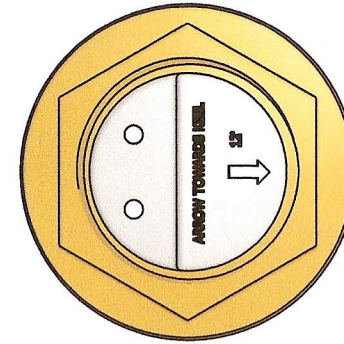
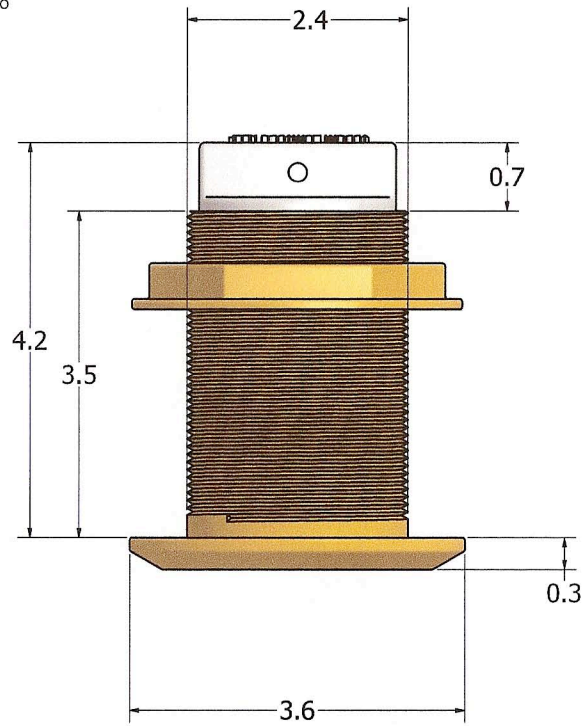


RADARSONICS INC.
 THIS DOCUMENT CONTAINS PROPRIETARY INFORMATION AND,
 EXCEPT WITH WRITTEN PERMISSION OF RADARSONICS INC.
 SUCH INFORMATION SHALL NOT BE PUBLISHED OR DISCLOSED TO
 OTHERS IN HOLE OR IN PART TO ANYONE EXCEPT AUTHORIZED



UNLESS OTHERWISE SPECIFIED
 DIMENSIONS ARE IN INCHES
 TOLERANCES ARE:
 ANGLES +/- 0° 30'
 3 PLACE DECIMALS +/- .010
 2PLACE DECIMALS +/- .03

MATERIAL
 BRONZE

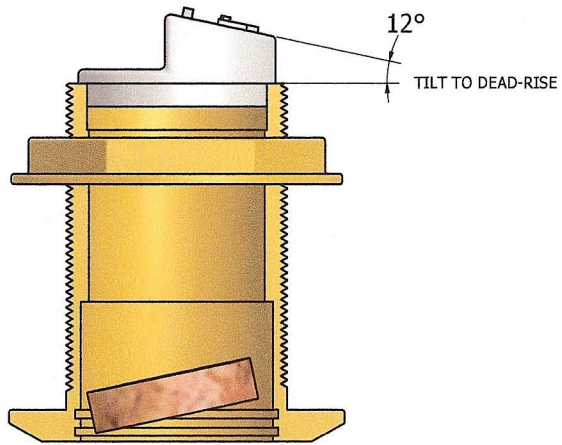
DRAWN	max chavez
CHECKED	
QA	
MFG	
APPROVED	

RADARSONICS INC.
 1190 N. GROVE ST.
 ANAHEIM, CA. 92806

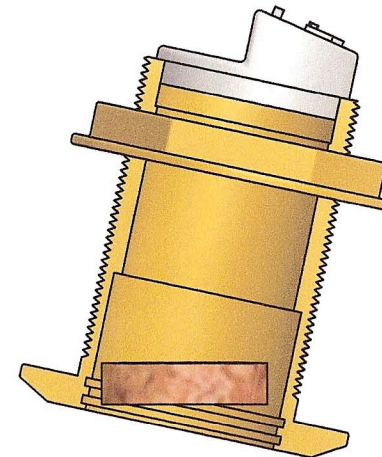
TITLE
210 BRONZE 12° TILT
600 WATTS 50 / 200 kHz

SIZE	DWG NO	REV
C		
SCALE	SHEET 1 OF 1	

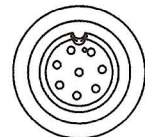
RADARSONICS INC.
 THIS DOCUMENT CONTAINS PROPRIETARY INFORMATION AND,
 EXCEPT WITH WRITTEN PERMISSION OF RADARSONICS INC.,
 SUCH INFORMATION SHALL NOT BE PUBLISHED OR DISCLOSED TO
 OTHERS IN WHOLE OR IN PART TO ANYONE EXCEPT AUTHORIZED



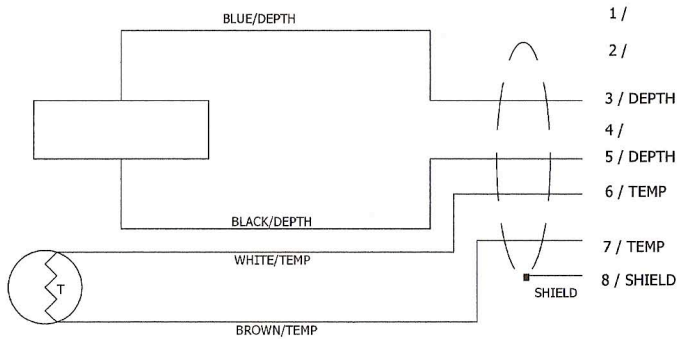
SPLIT VIEW



TILT @ 12 DEGREES



FRONT VIEW
 CONXALL 8/PIN



UNLESS OTHERWISE SPECIFIED
 DIMENSIONS ARE IN INCHES
 TOLERANCES ARE:
 ANGLES +/- 0' 30'
 3 PLACE DECIMALS +/- .010
 2PLACE DECIMALS +/- .03

MATERIAL
 BRONZE

DRAWN	max chavez
CHECKED	
QA	
MFG	
APPROVED	

RADARSONICS INC.
 1190 N. GROVE ST.
 ANAHEIM, CA. 92806

TITLE
210 BRONZE 12' TILT
600 WATTS 50 / 200 kHz

SIZE	DWG NO	REV
C		
SCALE	SHEET 1 OF 1	