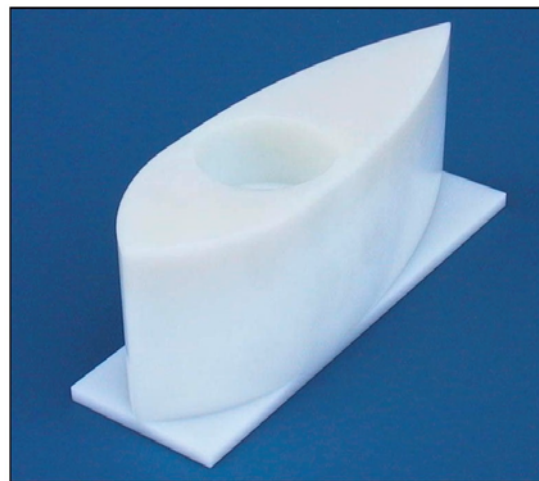
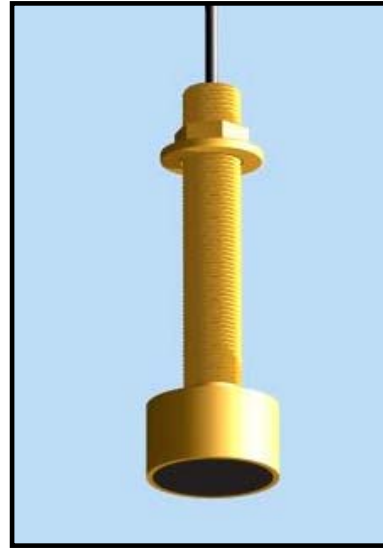


**205B and 205P**

120kHz to 200kHz

The model 205 is a small thru-hull transducers. The 205 is designed primarily for sailboat usage. The wide beam angles allow for solid echo returns, even when boat is heeled. When the 205 is combined with its streamline fairing block the total assembly develops very little drag.

The bronze model is shown, The 205 is also available in plastic, polycarbonate (Model 205P).



**Options:**

- Temperature sensor
- Polycarbonate alloy
- Fairing block, 205FB

**Applications:**

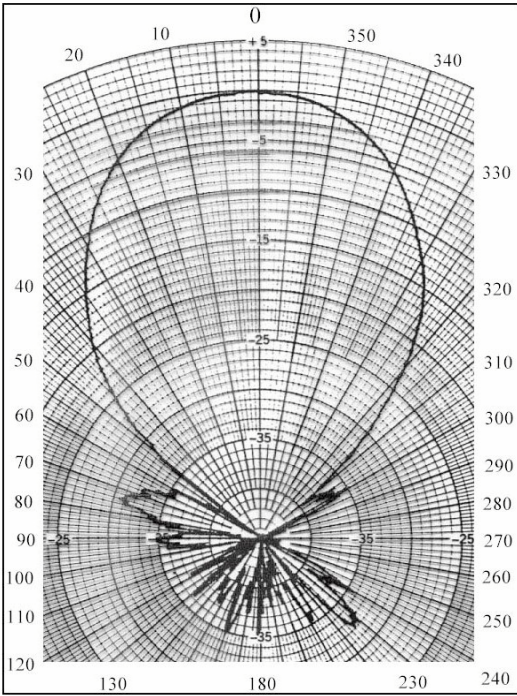
- 205B - Fiberglass or wood hulls only.
- 205P – Not for use in wooden hulls.

**Performance Data**

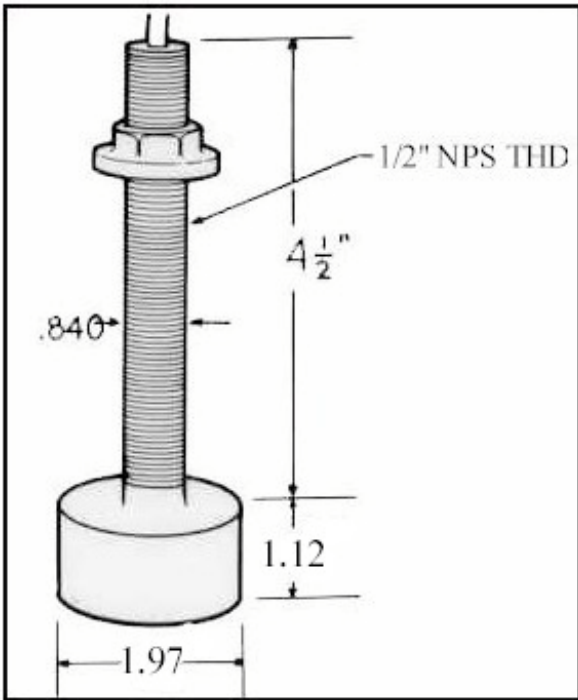
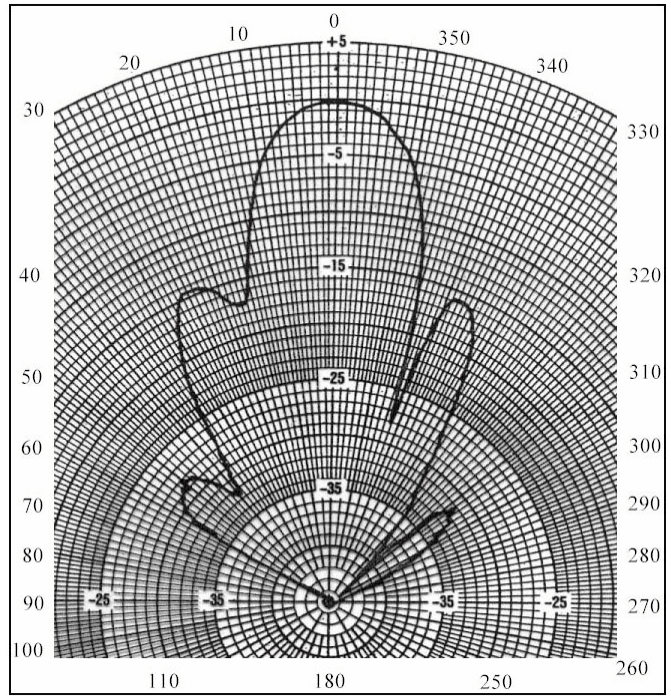
| FREQUENCY (kHz) | BEAM WIDTH (degrees @ -3db) | ELEMENT SIZE (inches) | CAPACITANCE (pf)<br>NOTE (1) | IMPEDANCE (ohms)<br>NOTE (2) | TRANSMIT RESPONSE (db)<br>NOTE (3) | RECEIVE RESPONSE (-db)<br>NOTE (4) | POWER RATING, RMS (watts) | COMMENT |
|-----------------|-----------------------------|-----------------------|------------------------------|------------------------------|------------------------------------|------------------------------------|---------------------------|---------|
| 200             | 18                          | 1.1                   | 965                          | 550                          | 157                                | -189                               | 300                       |         |
| 160             | 20                          | 1.1                   | 885                          | 750                          | 158                                | -189                               | 300                       |         |
| 120             | 38                          | 1.0                   | 1050                         | 500                          | 167                                | -181                               | 300                       |         |

(1) with standard length cable. (2) equivalent series R in water. (3) the source level generated by one watt input. (4) the open circuit RMS voltage generated by a pressure of one microbar.

**120 kHz Mode – 1” Diameter Element**



**200Khz – 1.1” Diameter Element**



**Specifications:**

- Housing and nut material: 205B- Bronze, 205P Polycarbonate alloy.
- Threads: .84 - 1/2” N.P.S.
- Standard cable length: 30 feet.
- Weight: Bronze – 2 lbs. Plastic – 1 lb.



Model 205R – Shown installed in its fairing block