

203B

50kHz to 200kHz

The Model 203 is a low profile thru-hull transducer that has excellent water flow characteristics. The housing material is cast bronze.

When the 203 is combined with its streamline fairing block the total assembly develops very little drag.

Options:

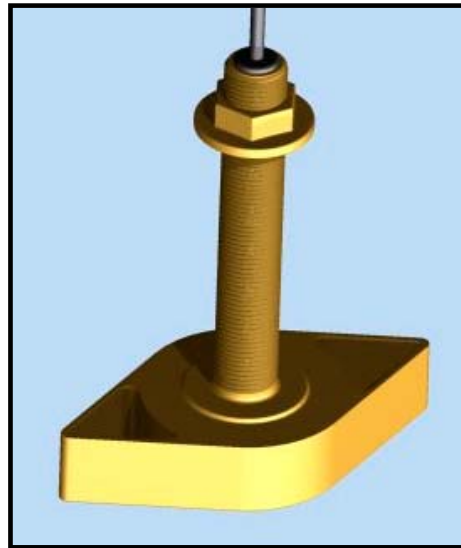
- Temperature sensor
- Fairing block, FB203
- Custom element configurations
- Impedance matching

Applications:

- Fiberglass or wood hulls only.

Specifications:

- Housing and nut material: Bronze.
- Threads: .84- 1/2" N.P.S.
- Standard cable length: 30 feet.
- Weight: Bronze – 3 lbs.



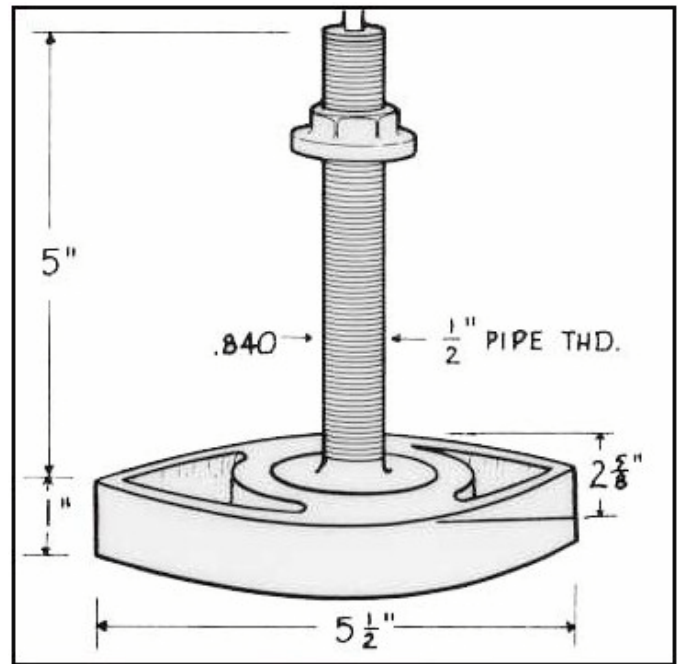
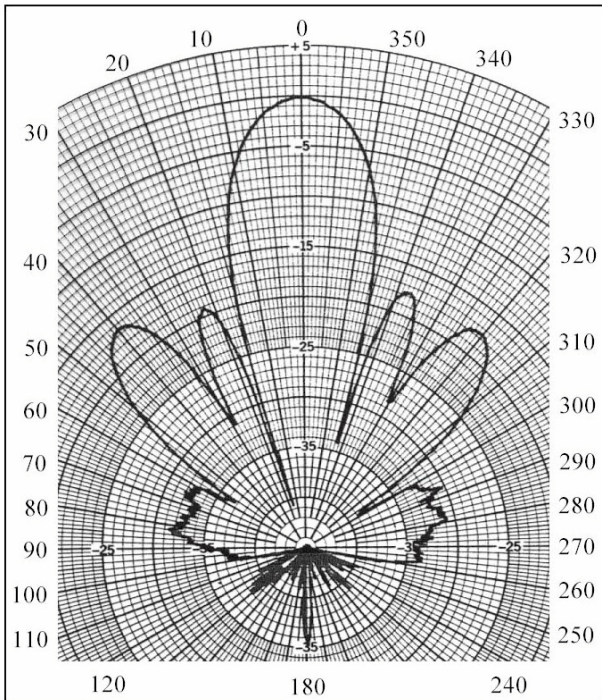
Performance Data

FREQUENCY (kHz)	BEAM WIDTH (degrees @ -3db)	ELEMENT SIZE (inches)	CAPACITANCE (pf)	IMPEDANCE (ohms)	TRANSMIT RESPONSE (db)	RECEIVE RESPONSE (-db)	POWER RATING, RMS (watts)	COMMENT
			NOTE (1)	NOTE (2)	NOTE (3)	NOTE (4)		
200	12	1.45	1265	480	161	-182	300	
200	11	1.7	1900	300	163	-185	600	Dual frequency, 200 & 50 kHz
200	9	2.0	2185	385	165	-186	600	

Performance Data Continued								
FREQUENCY (kHz)	BEAM WIDTH (degrees @ -3db)	ELEMENT SIZE (inches)	CAPACITANCE (pf)	IMPEDANCE (ohms)	TRANSMIT RESPONSE (db)	RECEIVE RESPONSE (-db)	POWER RATING, RMS (watts)	COMMENT
			NOTE (1)	NOTE (2)	NOTE (3)	NOTE (4)		
160	20	1.1	885	750	158	-189	300	
160	11	2.0	1750	550	164	-183	600	
120	38	1.0	1050	500	167	-181	300	
120	14	2.0	1725	320	164	-171	600	
50	45	1.7	1600	440	156	-173	600	Dual frequency, 200 & 50 kHz

(1) with standard length cable. (2) equivalent series R in water. (3) the source level generated by one watt input. (4) the open circuit RMS voltage generated by a pressure of one microbar.

120kHz - 2.0" Diameter Element



Model 203 – Not To Scale.