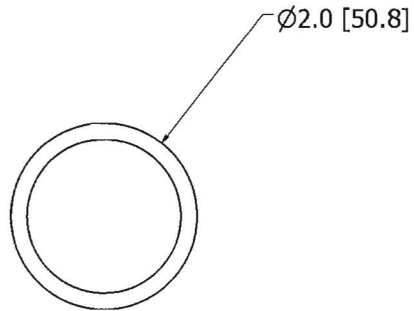
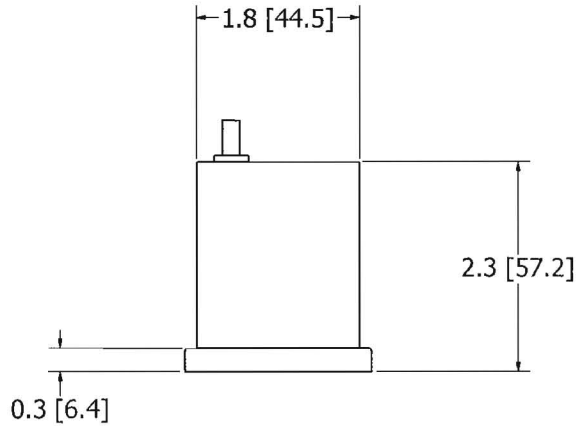
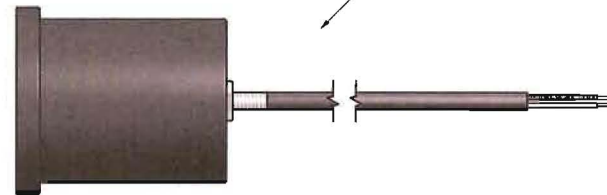


RADARSONICS INC.
 THIS DOCUMENT CONTAINS PROPRIETARY INFORMATION AND,
 EXCEPT WITH WRITTEN PERMISSION OF RADARSONICS INC.
 SUCH INFORMATION SHALL NOT BE PUBLISHED OR DISCLOSED TO
 OTHERS IN HOLE OR IN PART TO ANYONE EXCEPT AUTHORIZED

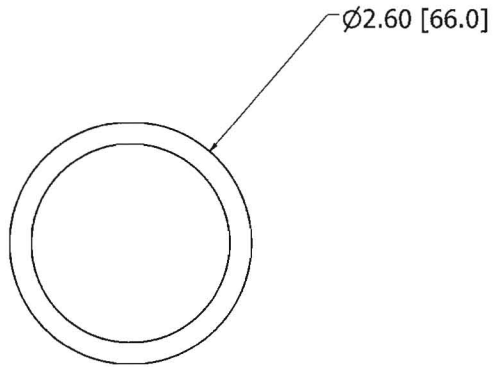
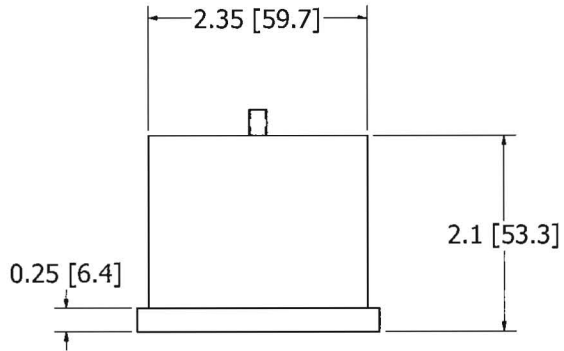


SPECIFY CABLE LENGTH

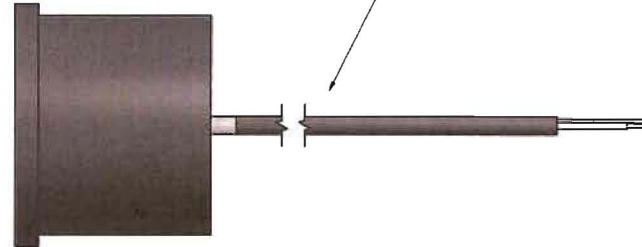


UNLESS OTHERWISE SPECIFIED DIMENSIONS ARE IN INCHES TOLERANCES ARE: ANGLES +/- 0° 30' 3 PLACE DECIMALS +/- .010 2 PLACE DECIMALS +/- .03 MATERIAL ABS	DRAWN max chavez		RADARSONICS INC. 1190 N. GROVE ST. ANAHEIM, CA. 92806		
	CHECKED		TITLE ALUMADUCER 300 WATTS 200 kHz BEAM 16 DEGREES		
	QA		SIZE C	DWG NO	REV
	MFG		SCALE	SHEET 1 OF 1	
APPROVED					

RADARSONICS INC.
 THIS DOCUMENT CONTAINS PROPRIETARY INFORMATION AND,
 EXCEPT WITH WRITTEN PERMISSION OF RADARSONICS INC.,
 SUCH INFORMATION SHALL NOT BE PUBLISHED OR DISCLOSED TO
 OTHERS IN HOLE OR IN PART TO ANYONE EXCEPT AUTHORIZED

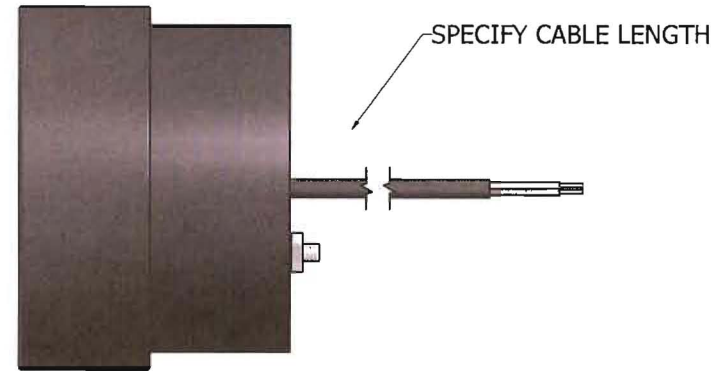
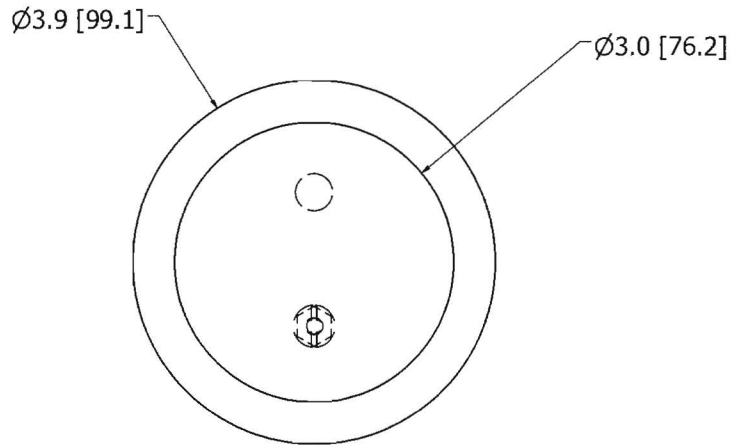
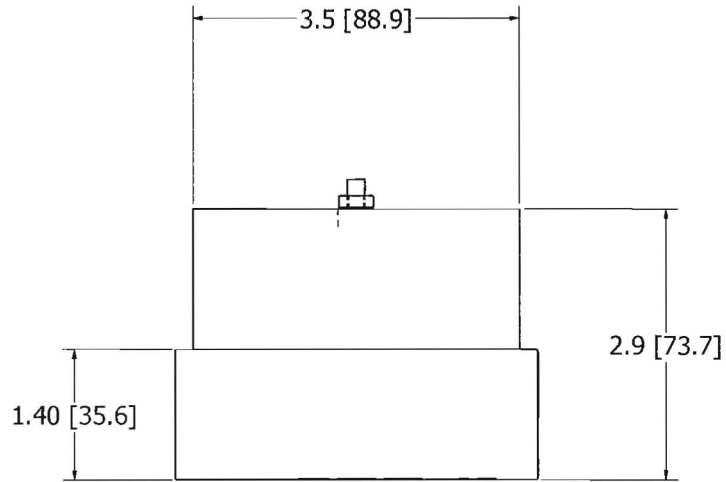


SPECIFY CABLE LENGTH



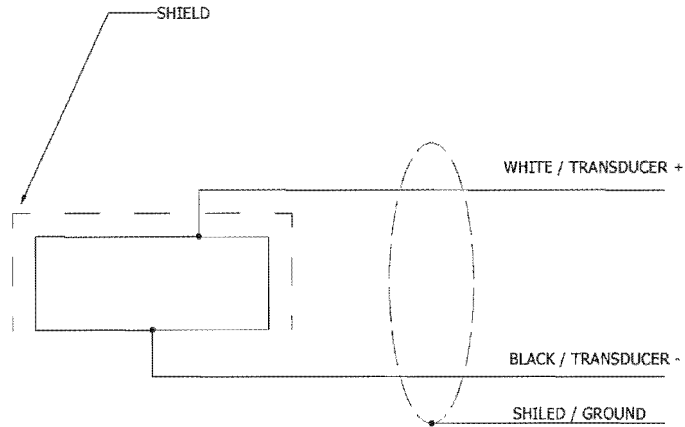
UNLESS OTHERWISE SPECIFIED DIMENSIONS ARE IN INCHES TOLERANCES ARE: ANGLES +/- 0° 30' 3 PLACE DECIMALS +/- .010 2 PLACE DECIMALS +/- .03	DRAWN		RADARSONICS INC.	
	max chavez		1190 N. GROVE ST.	
	CHECKED		ANAHEIM, CA. 92806	
	QA		TITLE	
MFG		ALUMADUCER 600 WATTS		
APPROVED		50 / 200 kHz 1.7 O.D.		
		BEAM 45 DEGREES @ 50 kHz		
		BEAM 11 DEGREES @ 200 kHz		
MATERIAL		SIZE	DWG NO	REV
ABS		C		
		SCALE	SHEET 1 OF 1	

RADARSONICS INC.
 THIS DOCUMENT CONTAINS PROPRIETARY INFORMATION AND,
 EXCEPT WITH WRITTEN PERMISSION OF RADARSONICS INC.
 SUCH INFORMATION SHALL NOT BE PUBLISHED OR DISCLOSED TO
 OTHERS IN HOLE OR IN PART TO ANYONE EXCEPT AUTHORIZED



UNLESS OTHERWISE SPECIFIED DIMENSIONS ARE IN INCHES TOLERANCES ARE: ANGLES +/- 0° 30' 3 PLACE DECIMALS +/- .010 2 PLACE DECIMALS +/- .03	DRAWN	RADARSONICS INC.	
	max chavez	1190 N. GROVE ST.	
	CHECKED	ANAHEIM, CA. 92806	
	QA	TITLE	
MFG	ALUMADUCER 1 kW		
APPROVED	50 / 200 kHz 2.5" O,D		
SIZE	BEAM 30 DEGREES @ 50 kHz		
C	DWG NO	REV	
SCALE	SHEET 1 OF 1		

RADARSONICS INC.
 THIS DOCUMENT CONTAINS PROPRIETARY INFORMATION AND,
 EXCEPT WITH WRITTEN PERMISSION OF RADARSONICS INC.
 SUCH INFORMATION SHALL NOT BE PUBLISHED OR DISCLOSED TO
 OTHERS IN HOLE OR IN PART TO ANYONE EXCEPT AUTHORIZED



UNLESS OTHERWISE SPECIFIED DIMENSIONS ARE IN INCHES TOLERANCES ARE: ANGLES +/- 0° 30' 3 PLACE DECIMALS +/- .010 2 PLACE DECIMALS +/- .03 MATERIAL	DRAWN		RADARSONICS INC.	
	CHECKED		1190 N. GROVE ST.	
	QA		ANAHEIM, CA. 92806	
	MFG		TITLE	
	APPROVED		ALUMADUCER SCHEMATIC	
		SIZE	DWG NO	REV
		C		
		SCALE	SHEET 1 OF 1	