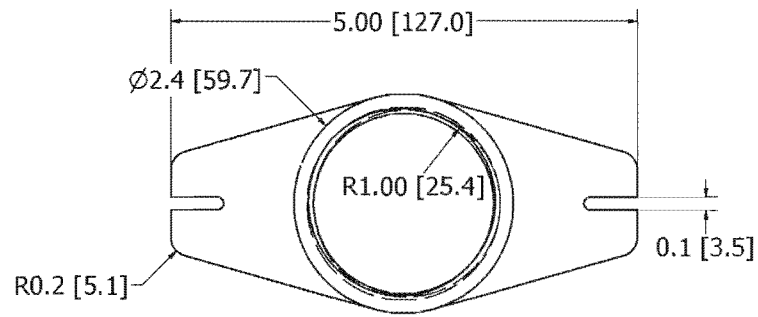
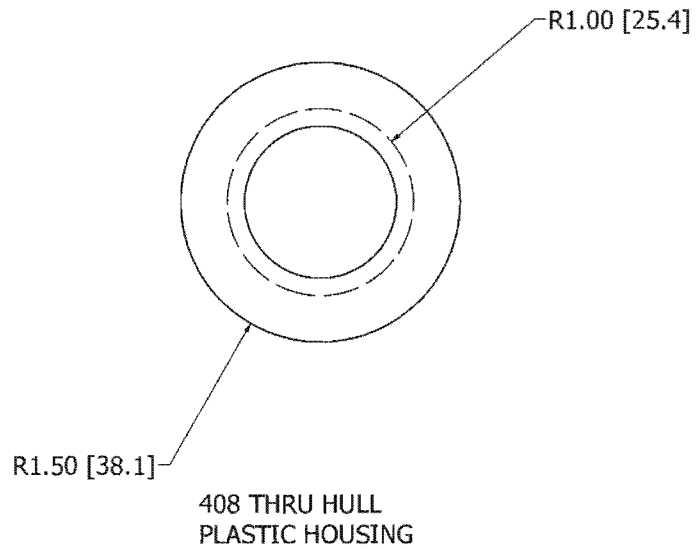
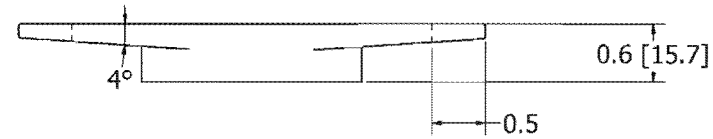
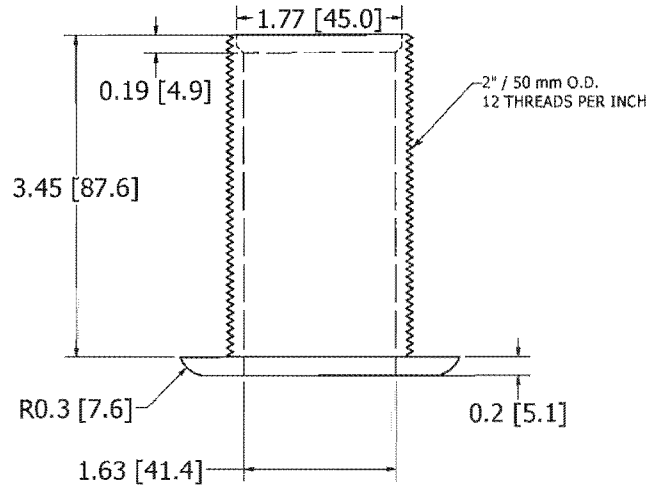


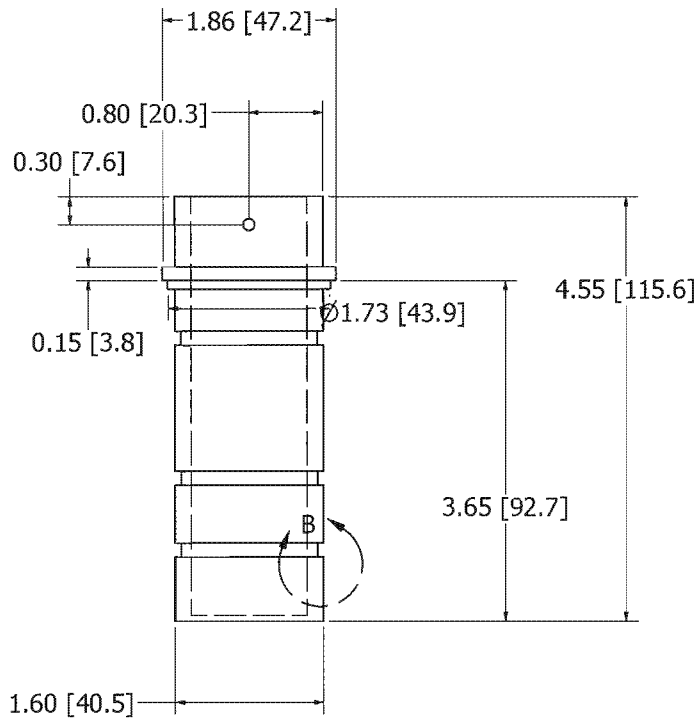
RADARSONICS INC.  
 THIS DOCUMENT CONTAINS PROPRIETARY INFORMATION AND,  
 EXCEPT WITH WRITTEN PERMISSION OF RADARSONICS INC.,  
 SUCH INFORMATION SHALL NOT BE PUBLISHED OR DISCLOSED TO  
 OTHERS IN HOLE OR IN PART TO ANYONE EXCEPT AUTHORIZED



408 WING NUT

UNLESS OTHERWISE SPECIFIED DIMENSIONS ARE IN INCHES TOLERANCES ARE: ANGLES +/- 0° 30' 3 PLACE DECIMALS +/- .010 2 PLACE DECIMALS +/- .03  <b>MATERIAL</b> GLASS FILLED NYLON	DRAWN max chavez	RADARSONICS INC. 1190 N. GROVE ST. ANAHEIM, CA. 92806		
	CHECKED	TITLE <b>ACTIVE THRU HULL PLASTIC</b>		
	QA	SIZE C	DWG NO	REV
	MFG	SCALE		
APPROVED	SHEET 1 OF 1			

RADARSONICS INC.  
 THIS DOCUMENT CONTAINS PROPRIETARY INFORMATION AND,  
 EXCEPT WITH WRITTEN PERMISSION OF RADARSONICS INC.,  
 SUCH INFORMATION SHALL NOT BE PUBLISHED OR DISCLOSED TO  
 OTHERS IN HOLE OR IN PART TO ANYONE EXCEPT AUTHORIZED

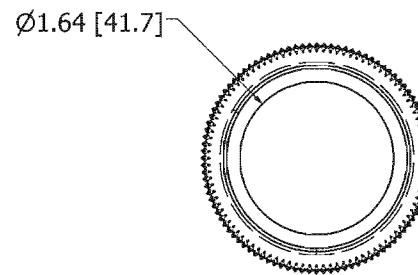


TRANSDUCER  
 INSERT



O-RINGS / 3 LOCATIONS

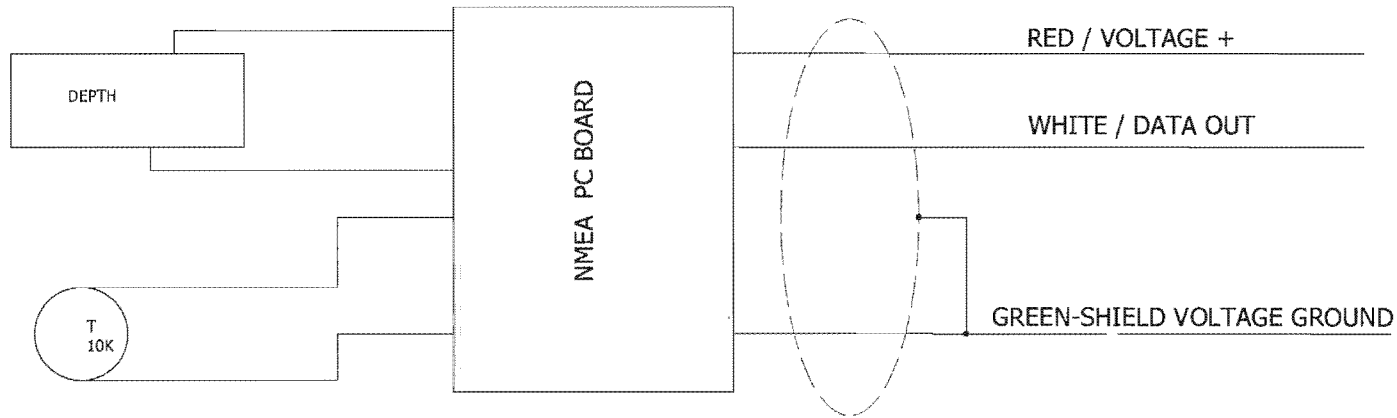
DETAIL B  
 SCALE 2 : 1



HOLD DOWN  
 NUT / INSERT

UNLESS OTHERWISE SPECIFIED DIMENSIONS ARE IN INCHES TOLERANCES ARE: ANGLES +/- 0° 30' 3 PLACE DECIMALS +/- .010 2 PLACE DECIMALS +/- .03  <b>MATERIAL</b> GLASS FILLED NYLON	DRAWN max chavez	RADARSONICS INC. 1190 N. GROVE ST. ANAHEIM, CA. 92806		
	CHECKED	TITLE <b>INSERT / RETRACTABLE          ACTIVE TRANSDUCE          PLASTIC THRU HULL</b>		
	QA	SIZE C	DWG NO	REV
	MFG	SCALE		
	APPROVED	SHEET 1 OF 1		

RADARSONICS INC.  
 THIS DOCUMENT CONTAINS PROPRIETARY INFORMATION AND,  
 EXCEPT WITH WRITTEN PERMISSION OF RADARSONICS INC.,  
 SUCH INFORMATION SHALL NOT BE PUBLISHED OR DISCLOSED TO  
 OTHERS IN HOLE OR IN PART TO ANYONE EXCEPT AUTHORIZED



UNLESS OTHERWISE SPECIFIED DIMENSIONS ARE IN INCHES TOLERANCES ARE: ANGLES +/- 0° 30' 3 PLACE DECIMALS +/- .010 2 PLACE DECIMALS +/- .03  <b>MATERIAL</b>	DRAWN max chavez		RADARSONICS INC. 1190 N. GROVE ST. ANAHEIM, CA. 92805		
	CHECKED		TITLE <b>WIRING SCHEMATIC          ACTIVE TRANSDUCERS</b>		
	QA		SIZE C	DWG NO	REV
	MFG		SCALE		
	APPROVED		SHEET 1 OF 1		