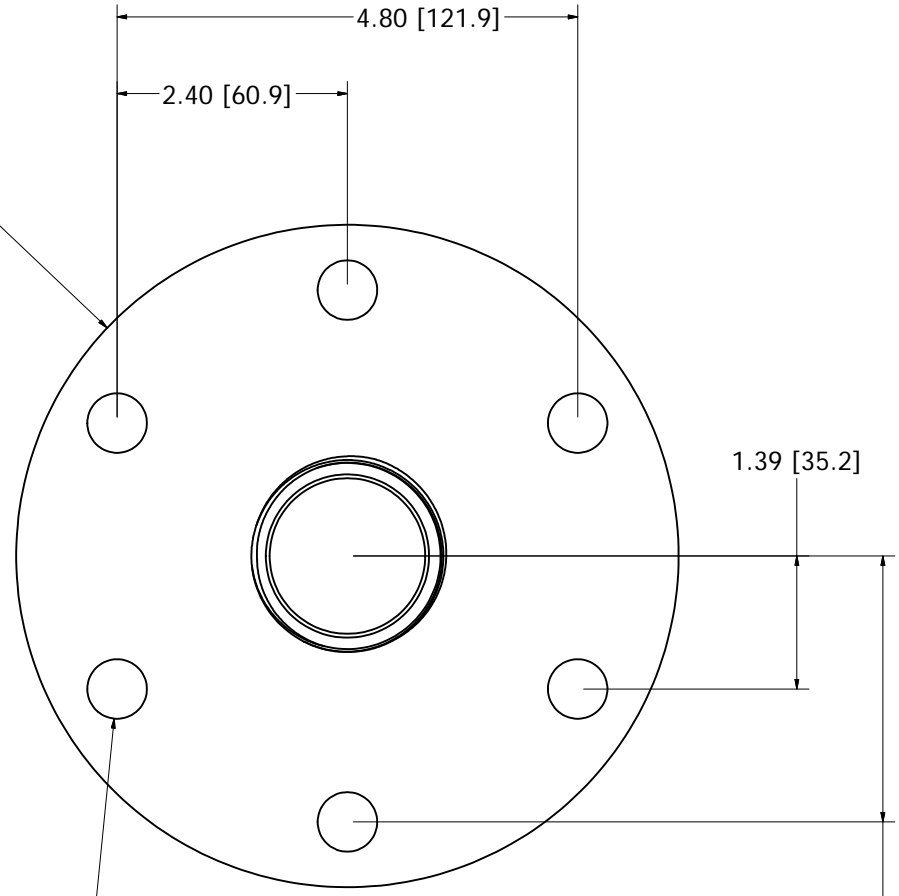
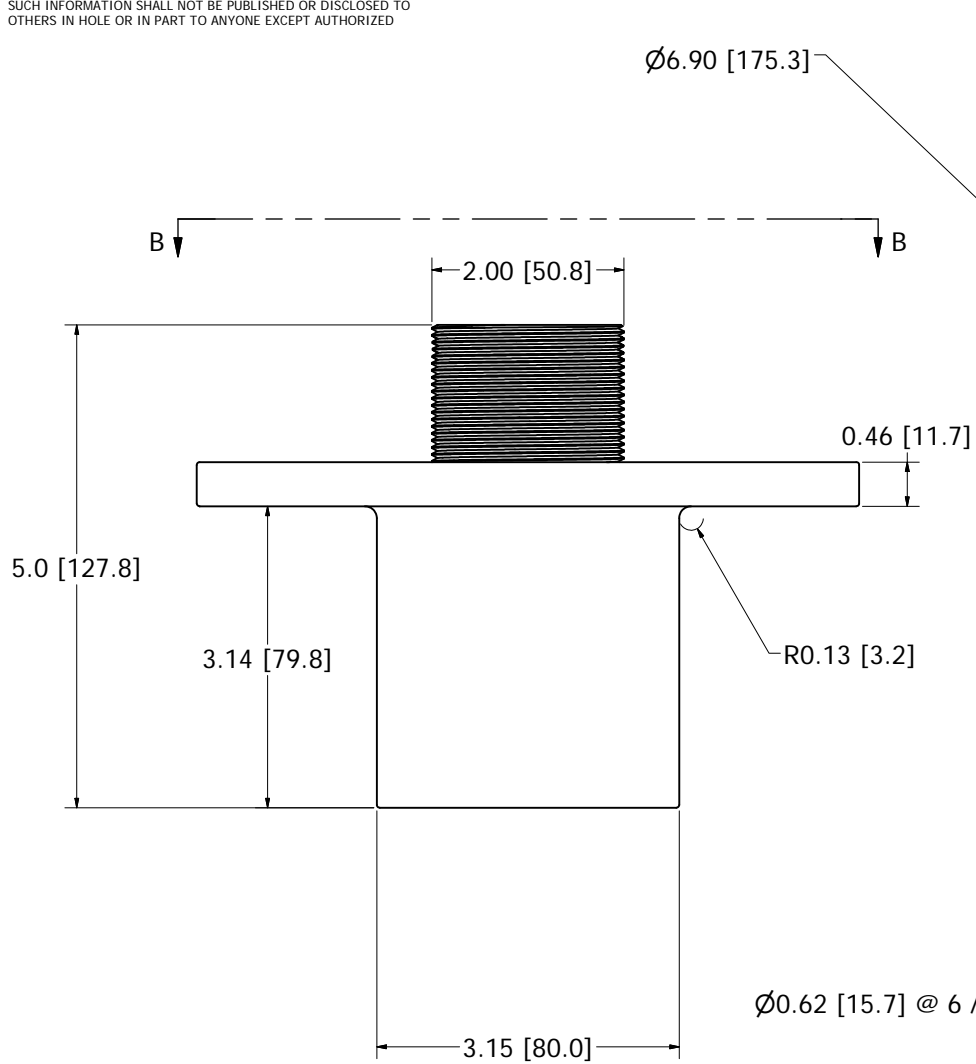


RADARSONICS INC.
 THIS DOCUMENT CONTAINS PROPRIETARY INFORMATION AND,
 EXCEPT WITH WRITTEN PERMISSION OF RADARSONICS INC.,
 SUCH INFORMATION SHALL NOT BE PUBLISHED OR DISCLOSED TO
 OTHERS IN HOLE OR IN PART TO ANYONE EXCEPT AUTHORIZED



VIEW B-B
 SCALE 1 : 1

UNLESS OTHERWISE SPECIFIED
 DIMENSIONS ARE IN INCHES
 TOLERANCES ARE:
 ANGLES +/- 0° 30'
 3 PLACE DECIMALS +/- .010
 2 PLACE DECIMALS +/- .03

MATERIAL
 BRONZE

DRAWN	max chavez
CHECKED	
QA	
MFG	
APPROVED	

RADARSONICS INC.
 1190 N. GROVE ST.
 ANAHEIM, CA. 92806

TITLE		
572 CASTING		
SIZE	DWG NO	REV
C		
SCALE	SHEET 1 OF 1	