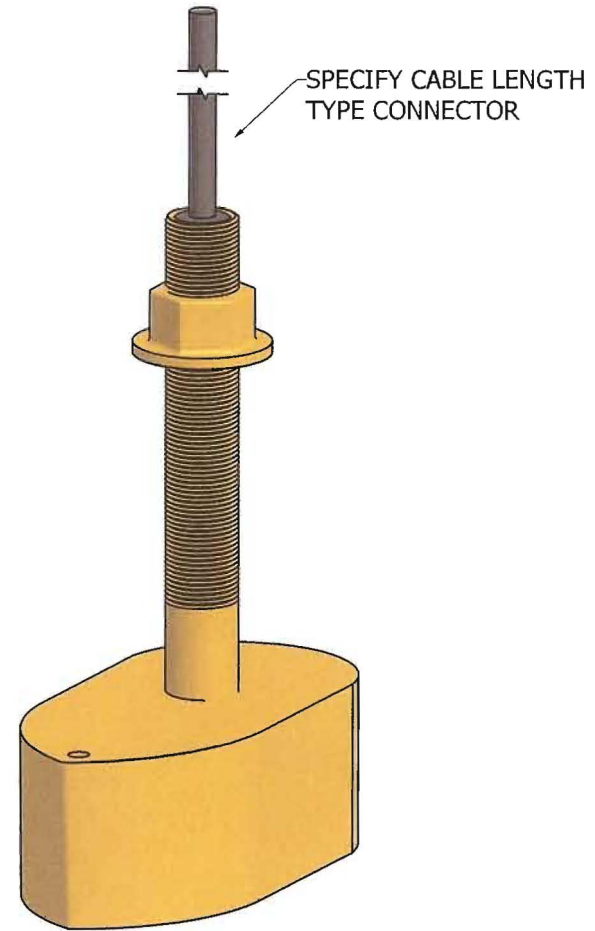
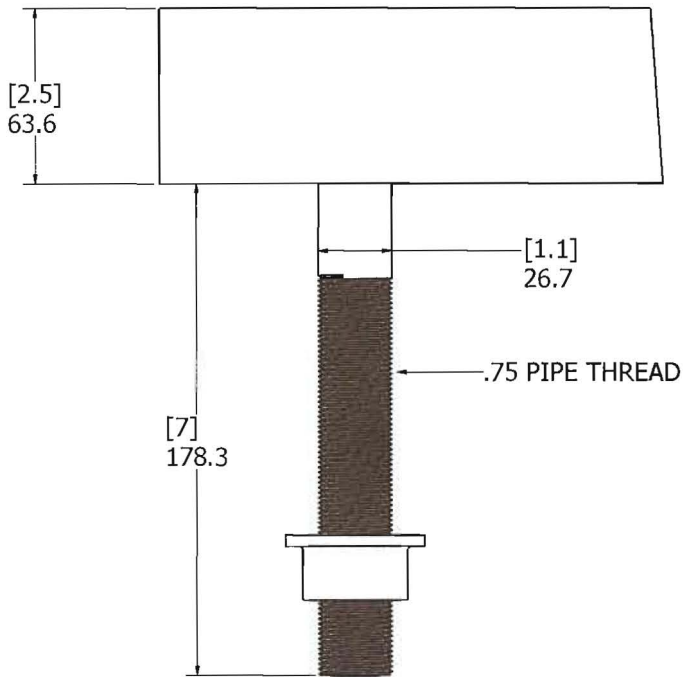
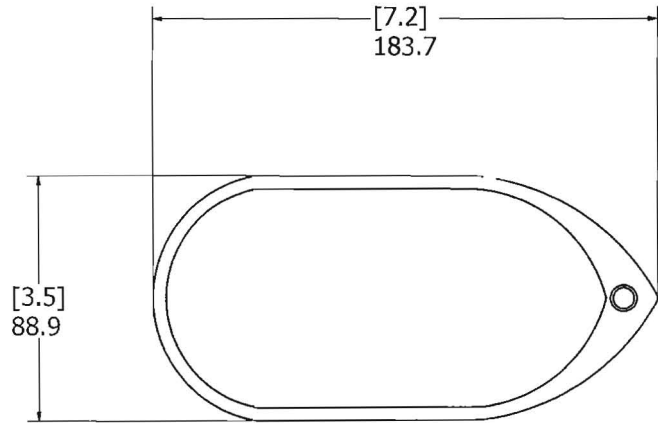
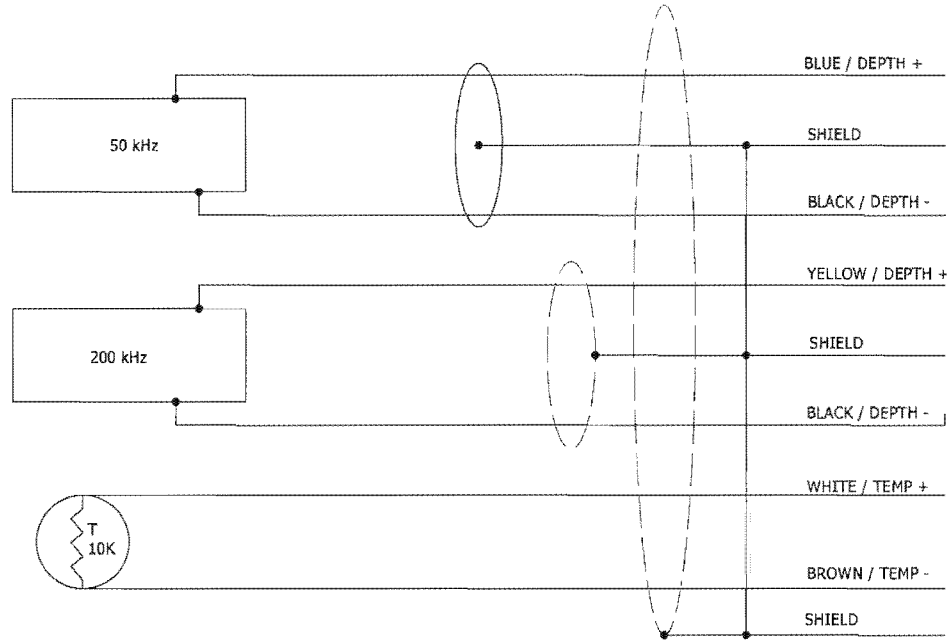


RADARSONICS INC.
 THIS DOCUMENT CONTAINS PROPRIETARY INFORMATION AND,
 EXCEPT WITH WRITTEN PERMISSION OF RADARSONICS INC.
 SUCH INFORMATION SHALL NOT BE PUBLISHED OR DISCLOSED TO
 OTHERS IN HOLE OR IN PART TO ANYONE EXCEPT AUTHORIZED



UNLESS OTHERWISE SPECIFIED DIMENSIONS ARE IN INCHES TOLERANCES ARE: ANGLES +/- 0° 30' 3 PLACE DECIMALS +/- .010 2 PLACE DECIMALS +/- .03	DRAWN	RADARSONICS INC.	
	max chavez	1190 N. GROVE ST.	
	CHECKED	ANAHEIM, CA. 92806	
	QA	TITLE	
MFG	560 HOUSING		
APPROVED	SIZE	DWG NO	REV
	C		
MATERIAL	SCALE	SHEET 1 OF 1	
BRONZE			

RADARSONICS INC.
 THIS DOCUMENT CONTAINS PROPRIETARY INFORMATION AND,
 EXCEPT WITH WRITTEN PERMISSION OF RADARSONICS INC.
 SUCH INFORMATION SHALL NOT BE PUBLISHED OR DISCLOSED TO
 OTHERS IN HOLE OR IN PART TO ANYONE EXCEPT AUTHORIZED



UNLESS OTHERWISE SPECIFIED
 DIMENSIONS ARE IN INCHES
 TOLERANCES ARE:
 ANGLES +/- 0' 30"
 3 PLACE DECIMALS +/- .010
 2 PLACE DECIMALS +/- .03

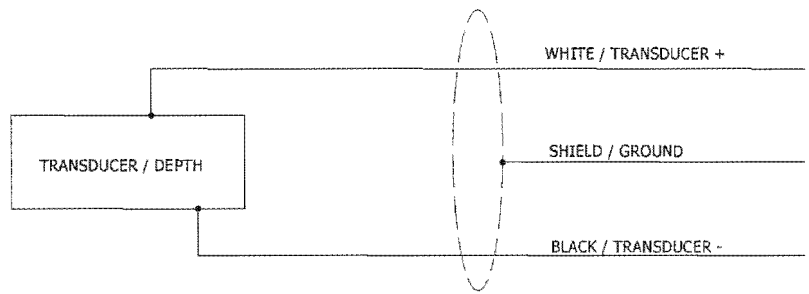
MATERIAL

DRAWN	max chavez
CHECKED	
QA	
MFG	
APPROVED	

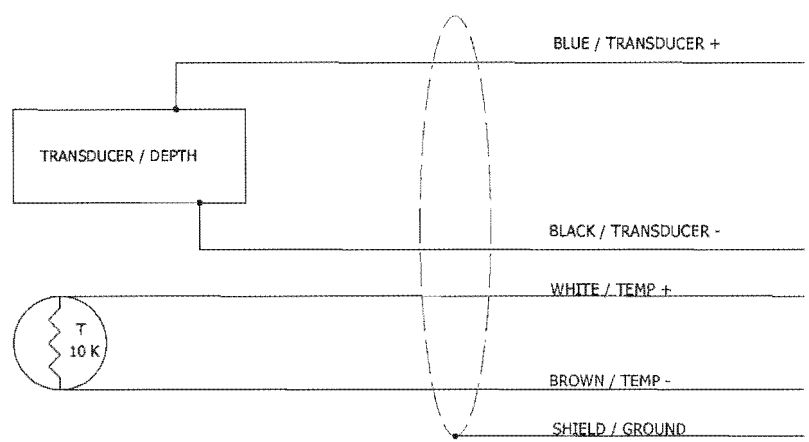
RADARSONICS INC.
 1190 N. GROVE ST.
 ANAHEIM, CA. 92806

TITLE		
WIRING SCHEMATIC		
SIZE	DWG NO	REV
C		
SCALE	SHEET 1 OF 1	

RADARSONICS INC.
 THIS DOCUMENT CONTAINS PROPRIETARY INFORMATION AND,
 EXCEPT WITH WRITTEN PERMISSION OF RADARSONICS INC.
 SUCH INFORMATION SHALL NOT BE PUBLISHED OR DISCLOSED TO
 OTHERS IN HOLE OR IN PART TO ANYONE EXCEPT AUTHORIZED



TRANSDUCER WITH DEPTH ONLY



TRANSDUCER WITH DEPTH / TEMP

UNLESS OTHERWISE SPECIFIED
 DIMENSIONS ARE IN INCHES
 TOLERANCES ARE:
 ANGLES +/- 0' 30"
 3 PLACE DECIMALS +/- .010
 2 PLACE DECIMALS +/- .03

MATERIAL

DRAWN	max chavez
CHECKED	
QA	
MFG	
APPROVED	

RADARSONICS INC. 1190 N. GROVE ST. ANAHEIM, CA. 92806	
TITLE WIRING SCHEMATIC DEPTH ONLY DEPTH / TEMP	
SIZE C	DWG NO
SCALE	REV
SHEET 1 OF 1	