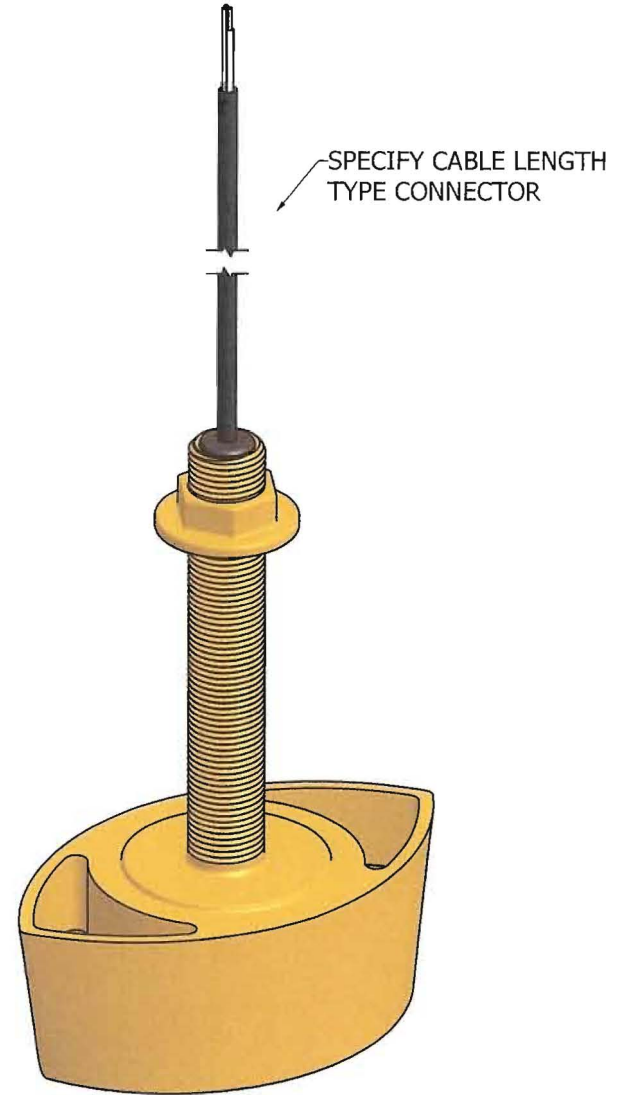
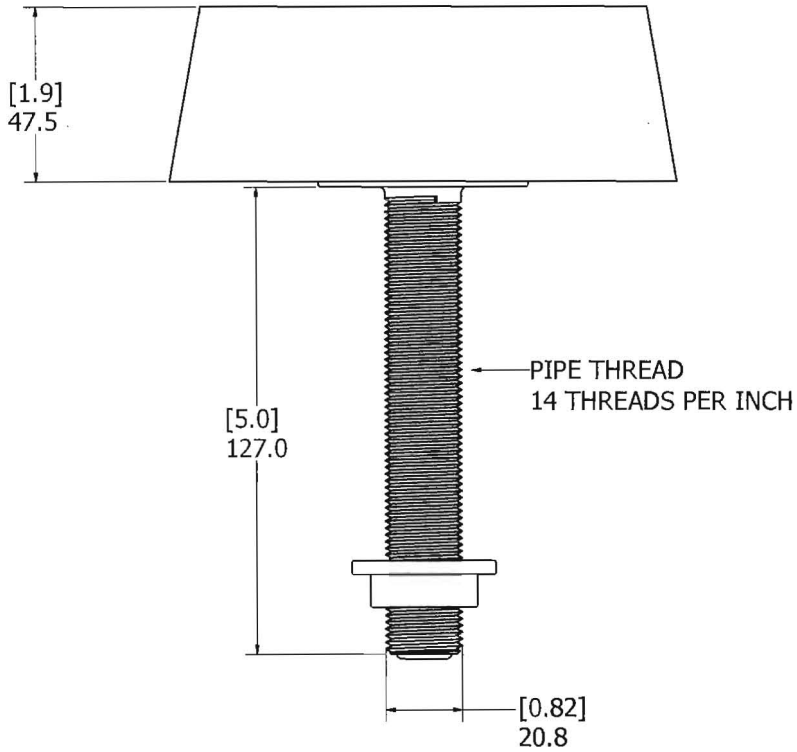
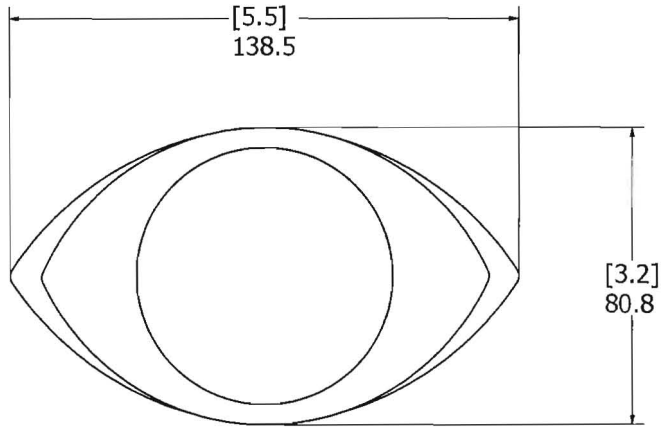


RADARSONICS INC.
 THIS DOCUMENT CONTAINS PROPRIETARY INFORMATION AND,
 EXCEPT WITH WRITTEN PERMISSION OF RADARSONICS INC.
 SUCH INFORMATION SHALL NOT BE PUBLISHED OR DISCLOSED TO
 OTHERS IN HOLE OR IN PART TO ANYONE EXCEPT AUTHORIZED



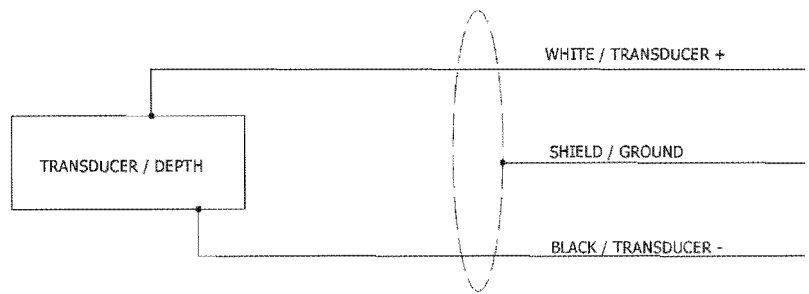
UNLESS OTHERWISE SPECIFIED
 DIMENSIONS ARE IN INCHES
 TOLERANCES ARE:
 ANGLES +/- 0° 30'
 3 PLACE DECIMALS +/- .010
 2PLACE DECIMALS +/- .03

MATERIAL
 BRONZE

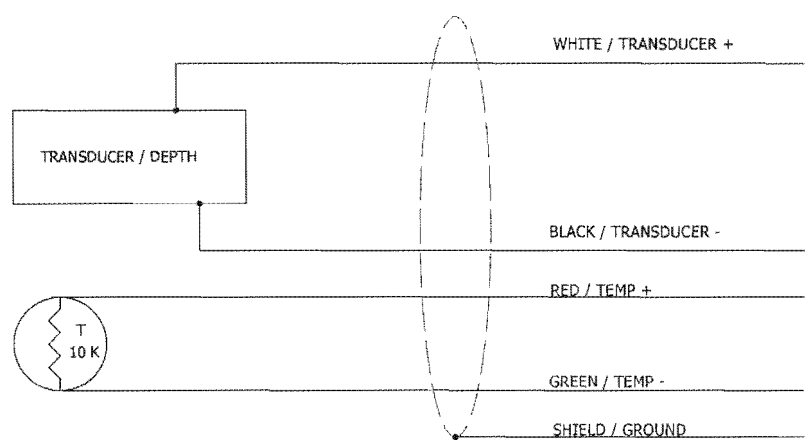
DRAWN	max chavez
CHECKED	
QA	
MFG	
APPROVED	

RADARSONICS INC. 1190 N. GROVE ST. ANAHEIM, CA. 92806		
TITLE 550 HOUSING		
SIZE C	DWG NO	REV
SCALE	SHEET 1 OF 1	

RADARSONICS INC.
 THIS DOCUMENT CONTAINS PROPRIETARY INFORMATION AND,
 EXCEPT WITH WRITTEN PERMISSION OF RADARSONICS INC.
 SUCH INFORMATION SHALL NOT BE PUBLISHED OR DISCLOSED TO
 OTHERS IN HOLE OR IN PART TO ANYONE EXCEPT AUTHORIZED



TRANSDUCER WITH DEPTH ONLY



TRANSDUCER WITH DEPTH / TEMP

UNLESS OTHERWISE SPECIFIED DIMENSIONS ARE IN INCHES TOLERANCES ARE: ANGLES +/- 0' 30" 3 PLACE DECIMALS +/- .010 2 PLACE DECIMALS +/- .03 MATERIAL	DRAWN max chavez	RADARSONICS INC. 1190 N. GROVE ST. ANAHEIM, CA. 92806	
	CHECKED	TITLE WIRING SCHEMATIC DEPTH ONLY DEPTH / TEMP	
	QA	SIZE C	DWG NO
	MFG	SCALE	REV
	APPROVED	SHEET 1 OF 1	