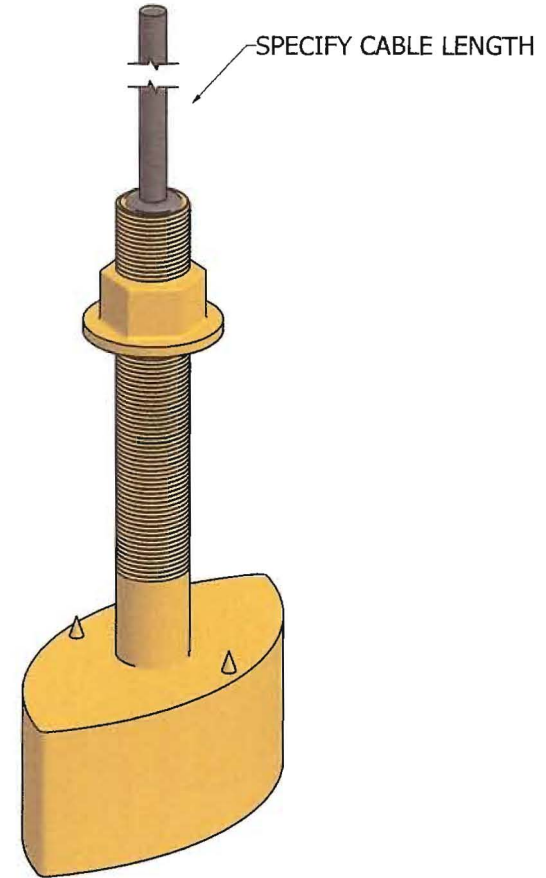
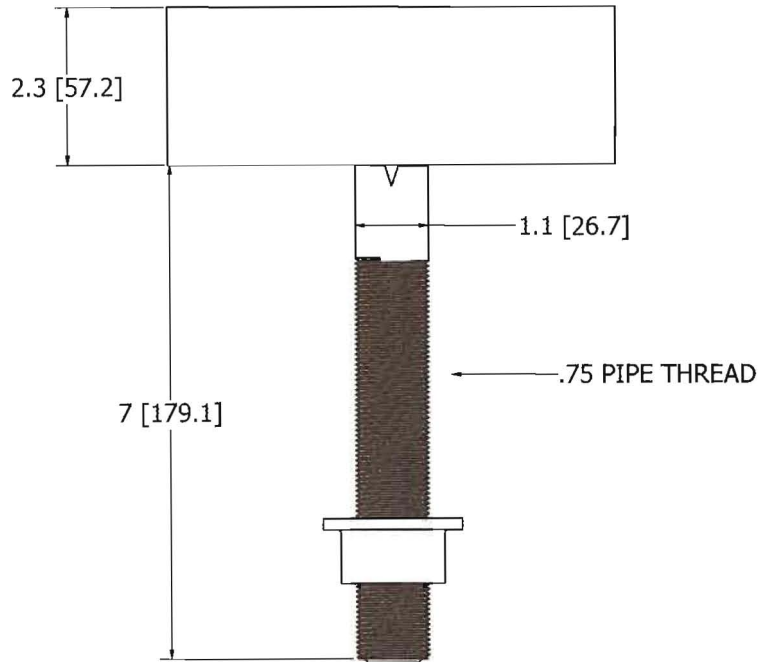
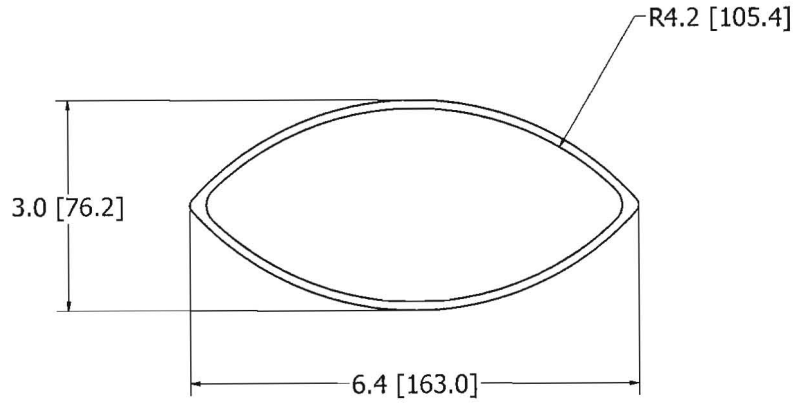
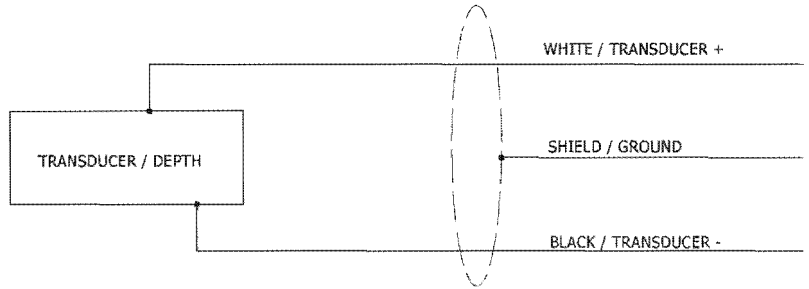


RADARSONICS INC.
 THIS DOCUMENT CONTAINS PROPRIETARY INFORMATION AND,
 EXCEPT WITH WRITTEN PERMISSION OF RADARSONICS INC.
 SUCH INFORMATION SHALL NOT BE PUBLISHED OR DISCLOSED TO
 OTHERS IN HOLE OR IN PART TO ANYONE EXCEPT AUTHORIZED

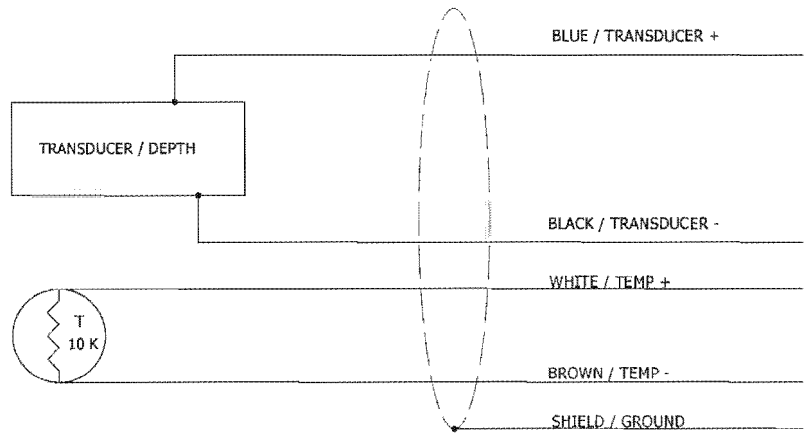


| | | | | |
|--|---------------------|---|--------|-----|
| UNLESS OTHERWISE SPECIFIED DIMENSIONS ARE IN INCHES TOLERANCES ARE: ANGLES +/- 0° 30' 3 PLACE DECIMALS +/- .010 2 PLACE DECIMALS +/- .03 MATERIAL BRONZE | DRAWN max chavez | RADARSONICS INC. 1190 N. GROVE ST. ANAHEIM, CA. 92806 | | |
| | CHECKED | TITLE | | |
| | QA | 525 HOUSING | | |
| | MFG | SIZE | DWG NO | REV |
| | APPROVED | C | | |
| | SCALE | SHEET 1 OF 1 | | |

RADARSONICS INC.
 THIS DOCUMENT CONTAINS PROPRIETARY INFORMATION AND,
 EXCEPT WITH WRITTEN PERMISSION OF RADARSONICS INC.
 SUCH INFORMATION SHALL NOT BE PUBLISHED OR DISCLOSED TO
 OTHERS IN HOLE OR IN PART TO ANYONE EXCEPT AUTHORIZED



TRANSDUCER WITH DEPTH ONLY



TRANSDUCER WITH DEPTH / TEMP

UNLESS OTHERWISE SPECIFIED
 DIMENSIONS ARE IN INCHES
 TOLERANCES ARE:
 ANGLES +/- 0° 30'
 3 PLACE DECIMALS +/- .010
 2 PLACE DECIMALS +/- .03

MATERIAL

| | |
|----------|------------|
| DRAWN | max chavez |
| CHECKED | |
| QA | |
| MFG | |
| APPROVED | |

| | | |
|--|--------------|-----|
| RADARSONICS INC. 1190 N. GROVE ST. ANAHEIM, CA. 92806 | | |
| TITLE WIRING SCHEMATIC DEPTH ONLY DEPTH / TEMP | | |
| SIZE | DWG NO | REV |
| C | | |
| SCALE | SHEET 1 OF 1 | |