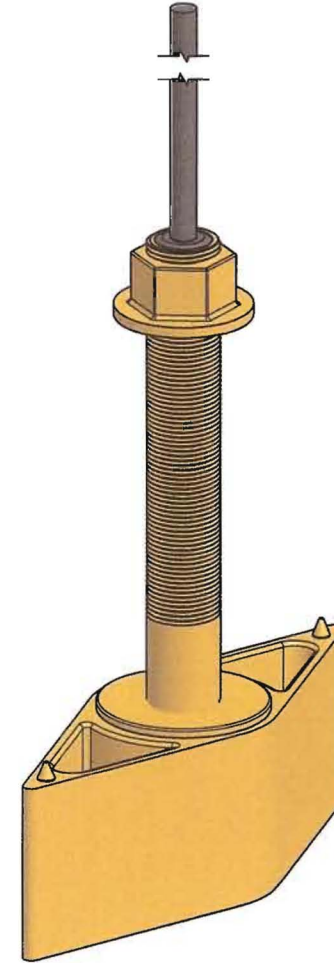
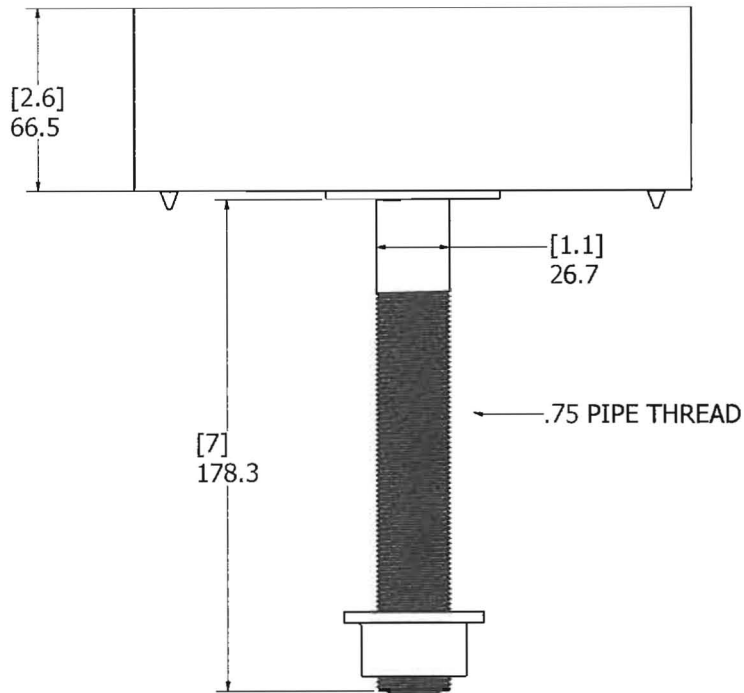
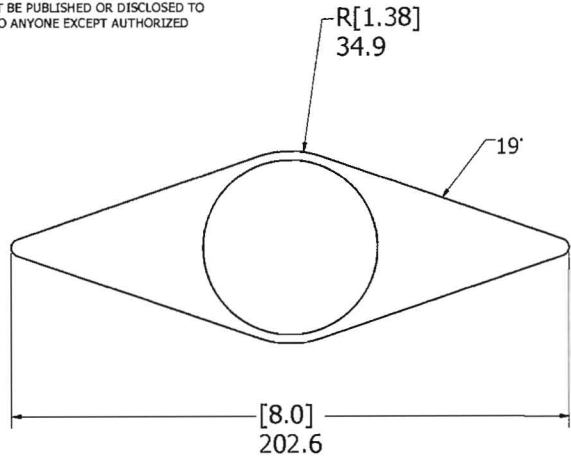
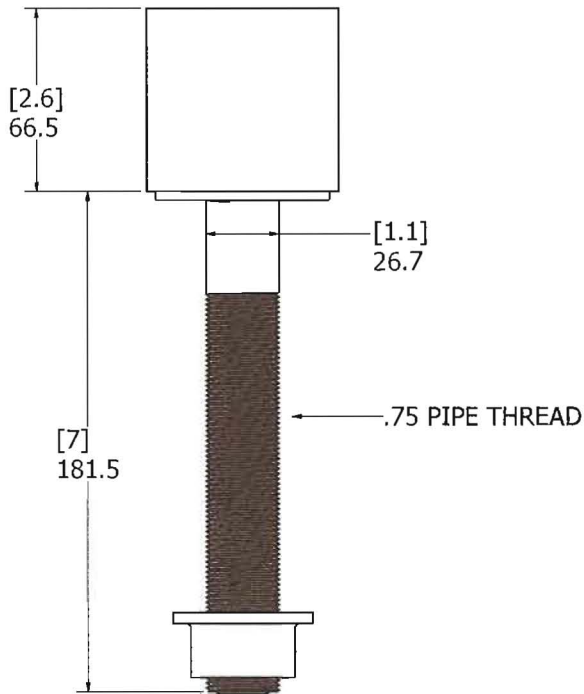
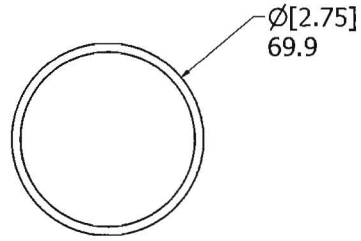


RADARSONICS INC.
 THIS DOCUMENT CONTAINS PROPRIETARY INFORMATION AND,
 EXCEPT WITH WRITTEN PERMISSION OF RADARSONICS INC.,
 SUCH INFORMATION SHALL NOT BE PUBLISHED OR DISCLOSED TO
 OTHERS IN HOLE OR IN PART TO ANYONE EXCEPT AUTHORIZED



UNLESS OTHERWISE SPECIFIED DIMENSIONS ARE IN INCHES TOLERANCES ARE: ANGLES +/- 0° 30' 3 PLACE DECIMALS +/- .010 2 PLACE DECIMALS +/- .03 MATERIAL BRONZE	DRAWN	max chavez	RADARSONICS INC. 1190 N. GROVE ST. ANAHEIM, CA. 92806	
	CHECKED		TITLE	
	QA		501 HOUSING	
	MFG		SIZE	DWG NO
APPROVED		C		
		SCALE		SHEET 1 OF 1

RADARSONICS INC.
 THIS DOCUMENT CONTAINS PROPRIETARY INFORMATION AND,
 EXCEPT WITH WRITTEN PERMISSION OF RADARSONICS INC.,
 SUCH INFORMATION SHALL NOT BE PUBLISHED OR DISCLOSED TO
 OTHERS IN HOLE OR IN PART TO ANYONE EXCEPT AUTHORIZED



UNLESS OTHERWISE SPECIFIED DIMENSIONS ARE IN INCHES TOLERANCES ARE: ANGLES +/- 0' 30" 3 PLACE DECIMALS +/- .010 2 PLACE DECIMALS +/- .03	DRAWN max chavez	RADARSONICS INC. 1190 N. GROVE ST. ANAHEIM, CA. 92806	
	CHECKED	TITLE	
	QA	501 ROUND	
	MFG	SIZE C	DWG NO
MATERIAL BRONZE	APPROVED	SCALE	SHEET 1 OF 1