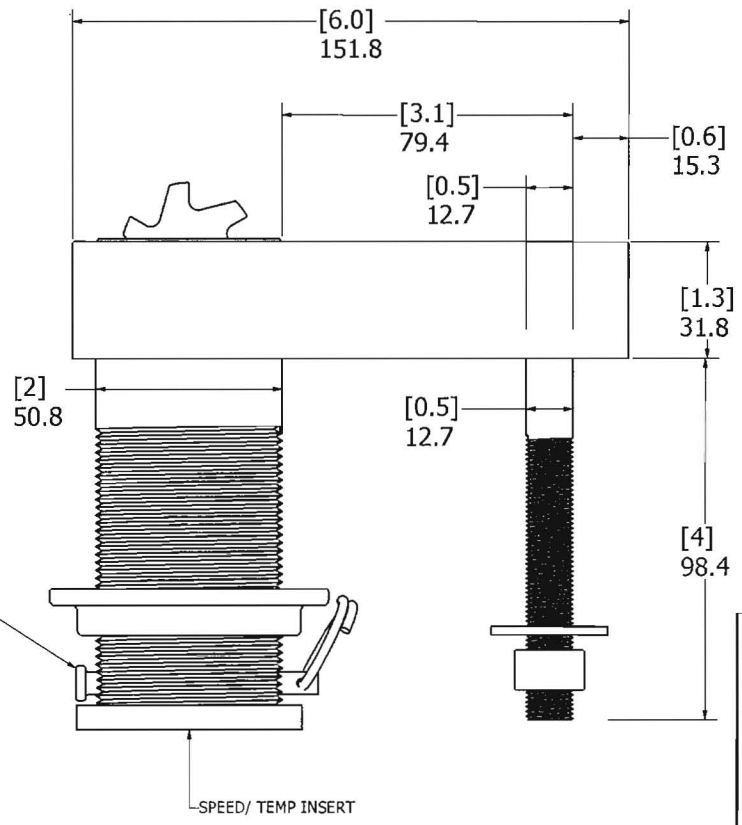
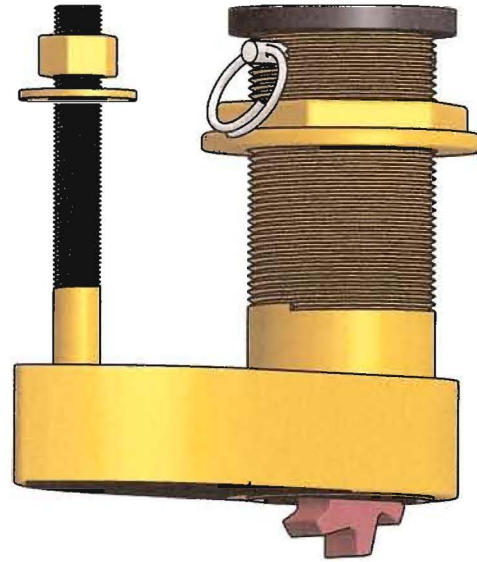
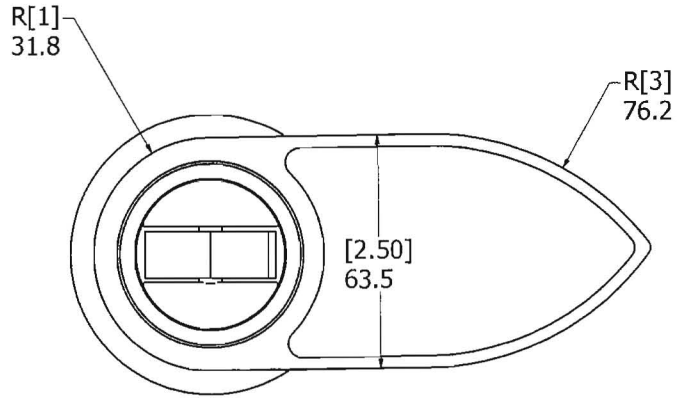


RADARSONICS INC.
 THIS DOCUMENT CONTAINS PROPRIETARY INFORMATION AND,
 EXCEPT WITH WRITTEN PERMISSION OF RADARSONICS INC.
 SUCH INFORMATION SHALL NOT BE PUBLISHED OR DISCLOSED TO
 OTHERS IN HOLE OR IN PART TO ANYONE EXCEPT AUTHORIZED



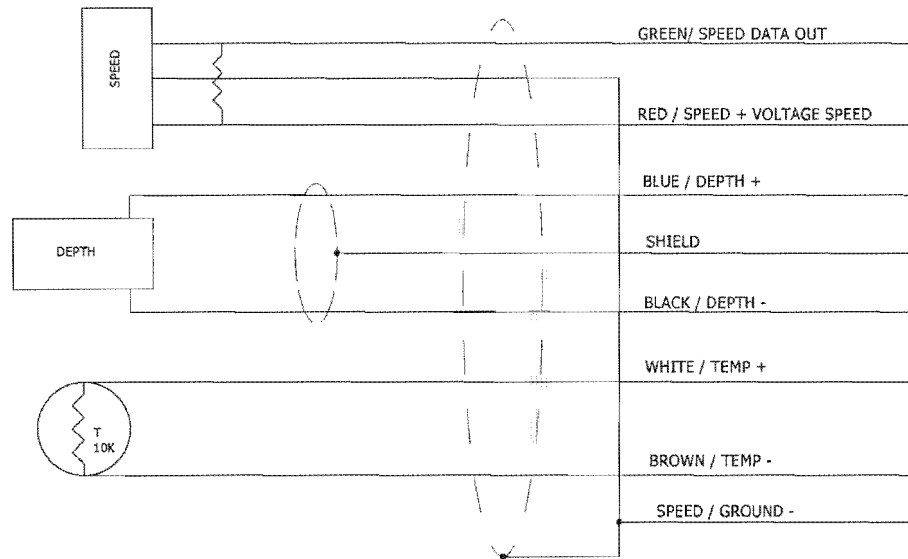
UNLESS OTHERWISE SPECIFIED
 DIMENSIONS ARE IN INCHES
 TOLERANCES ARE:
 ANGLES +/- 0° 30'
 3 PLACE DECIMALS +/- .010
 2 PLACE DECIMALS +/- .03

MATERIAL
 BRONZE

DRAWN	max chavez
CHECKED	
QA	
MFG	
APPROVED	

RADARSONICS INC. 1190 N. GROVE ST. ANAHEIM, CA. 92806	
TITLE 400 SERIES	
SIZE C	DWG NO
SCALE	REV
SHEET 1 OF 1	

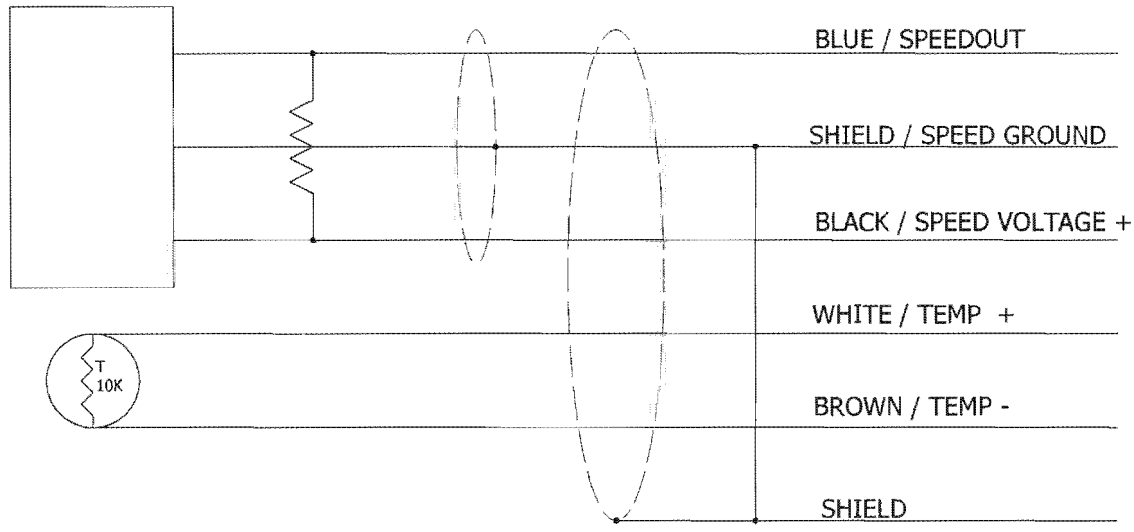
RADARSONICS INC.
 THIS DOCUMENT CONTAINS PROPRIETARY INFORMATION AND,
 EXCEPT WITH WRITTEN PERMISSION OF RADARSONICS INC.,
 SUCH INFORMATION SHALL NOT BE PUBLISHED OR DISCLOSED TO
 OTHERS IN HOLE OR IN PART TO ANYONE EXCEPT AUTHORIZED



30 ft SECTION CABLE WITH CONNECTOR

UNLESS OTHERWISE SPECIFIED DIMENSIONS ARE IN INCHES TOLERANCES ARE: ANGLES +/- 0° 30' 3 PLACE DECIMALS +/- .010 2 PLACE DECIMALS +/- .03 MATERIAL	DRAWN max chavez	RADARSONICS INC. 1190 N. GROVE ST. ANAHEIM, CA. 92806		
	CHECKED	TITLE 400 WIRING SCHEMATIC DEPTH / SPEED / TEMP		
	QA	SIZE C	DWG NO	REV
	MFG	SCALE		
APPROVED	SHEET 1 OF 1			

RADARSONICS INC.
 THIS DOCUMENT CONTAINS PROPRIETARY INFORMATION AND,
 EXCEPT WITH WRITTEN PERMISSION OF RADARSONICS INC.
 SUCH INFORMATION SHALL NOT BE PUBLISHED OR DISCLOSED TO
 OTHERS IN HOLE OR IN PART TO ANYONE EXCEPT AUTHORIZED



SCHEMATIC FOR THE FOLLOEING MODELS:

5237

400 SERIES INSERT @ 3 ft CABLE OUT OF INSERT

402 SERIES INSERT @ 3 ft CABLE OUT OF INSERT

408 SERIES INSERT

UNLESS OTHERWISE SPECIFIED
 DIMENSIONS ARE IN INCHES
 TOLERANCES ARE:
 ANGLES +/- 0' 30"
 3 PLACE DECIMALS +/- .010
 2PLACE DECIMALS +/- .03

MATERIAL

DRAWN
 max chavez
 CHECKED
 QA
 MFG
 APPROVED

RADARSONICS INC.
 1190 N. GROVE ST.
 ANAHEIM, CA. 92806

TITLE
WIRING SCHEMATIC

SIZE
C

SCALE
 DWG NO
 REV

SHEET 1 OF 1