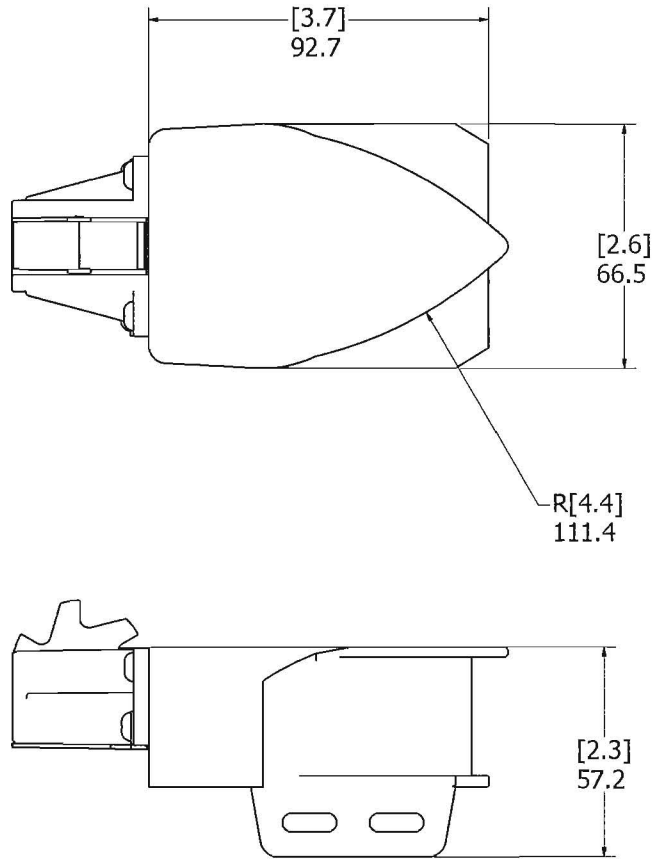
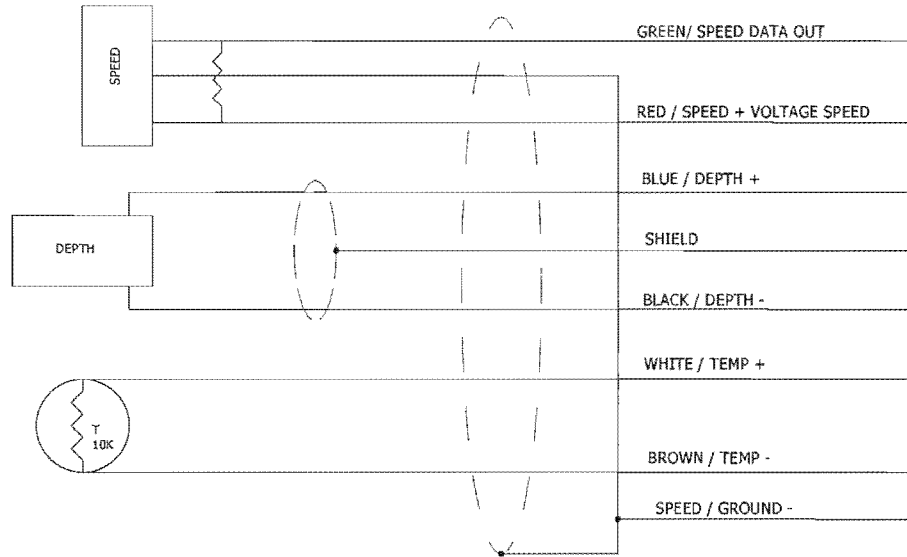


RADARSONICS INC.
 THIS DOCUMENT CONTAINS PROPRIETARY INFORMATION AND,
 EXCEPT WITH WRITTEN PERMISSION OF RADARSONICS INC.,
 SUCH INFORMATION SHALL NOT BE PUBLISHED OR DISCLOSED TO
 OTHERS IN HOLE OR IN PART TO ANYONE EXCEPT AUTHORIZED



UNLESS OTHERWISE SPECIFIED DIMENSIONS ARE IN INCHES TOLERANCES ARE: ANGLES +/- 0° 30' 3 PLACE DECIMALS +/- .010 2 PLACE DECIMALS +/- .03 MATERIAL POLY CARB.	DRAWN max chavez	RADARSONICS INC. 1190 N. GROVE ST. ANAHEIM, CA. 92806		
	CHECKED	TITLE		
	QA	250 HIGH SPEED TRANSOM		
	MFG	DEPTH / SPEED / TEMP		
	APPROVED	SIZE	DWG NO	REV
	C			
	SCALE	SHEET 1 OF 1		

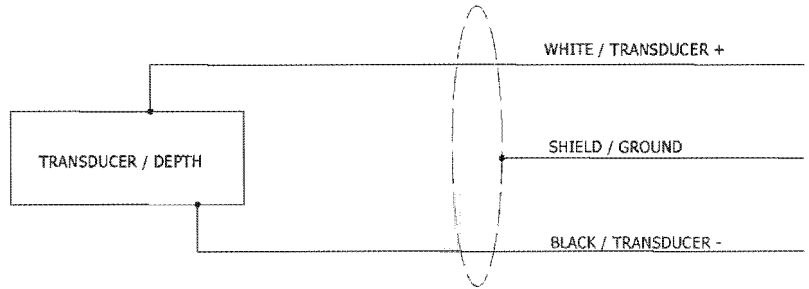
RADARSONICS INC.
 THIS DOCUMENT CONTAINS PROPRIETARY INFORMATION AND,
 EXCEPT WITH WRITTEN PERMISSION OF RADARSONICS INC.,
 SUCH INFORMATION SHALL NOT BE PUBLISHED OR DISCLOSED TO
 OTHERS IN HOLE OR IN PART TO ANYONE EXCEPT AUTHORIZED



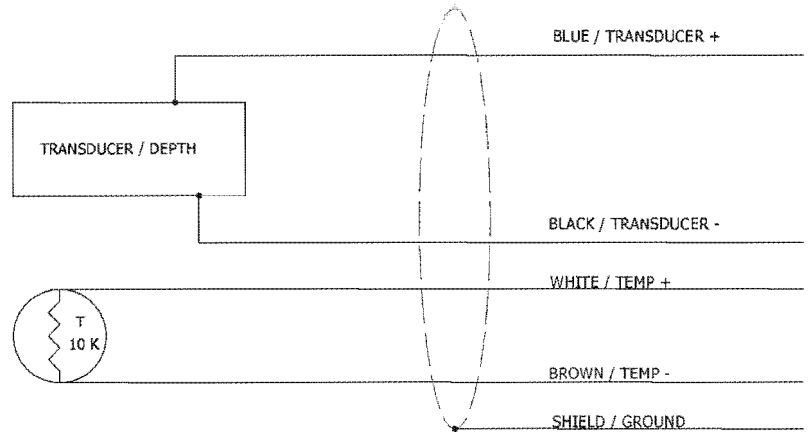
TRANSDUCER: WITH DEPTH / SPEED / TEMPERATURE

UNLESS OTHERWISE SPECIFIED DIMENSIONS ARE IN INCHES TOLERANCES ARE: ANGLES +/- 0° 30' 3 PLACE DECIMALS +/- .010 2 PLACE DECIMALS +/- .03 MATERIAL	DRAWN max chavez	RADARSONICS INC. 1190 N. GROVE ST. ANAHEIM, CA. 92806		
	CHECKED	TITLE WIRING SCHEMATIC DEPTH / SPEED / TEMP		
	QA	SIZE C	DWG NO	REV
	MFG	SCALE		
	APPROVED	SHEET 1 OF 1		

RADARSONICS INC.
 THIS DOCUMENT CONTAINS PROPRIETARY INFORMATION AND,
 EXCEPT WITH WRITTEN PERMISSION OF RADARSONICS INC.,
 SUCH INFORMATION SHALL NOT BE PUBLISHED OR DISCLOSED TO
 OTHERS IN HOLE OR IN PART TO ANYONE EXCEPT AUTHORIZED



TRANSDUCER WITH DEPTH ONLY



TRANSDUCER WITH DEPTH / TEMP

UNLESS OTHERWISE SPECIFIED
 DIMENSIONS ARE IN INCHES
 TOLERANCES ARE:
 ANGLES +/- 0' 30"
 3 PLACE DECIMALS +/- .010
 2 PLACE DECIMALS +/- .03

MATERIAL

DRAWN	max chavez
CHECKED	
QA	
MFG	
APPROVED	

RADARSONICS INC. 1190 N. GROVE ST. ANAHEIM, CA. 92806		
TITLE WIRING SCHEMATIC DEPTH ONLY DEPTH / TEMP		
SIZE C	DWG NO	REV
SCALE	SHEET 1 OF 1	