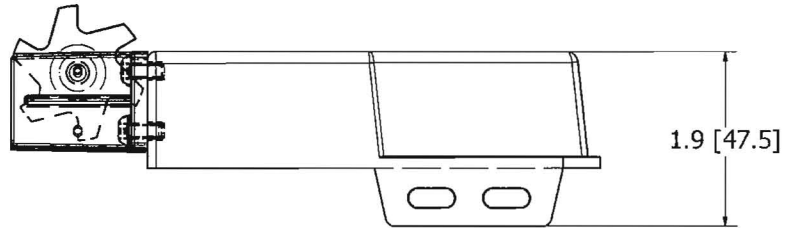
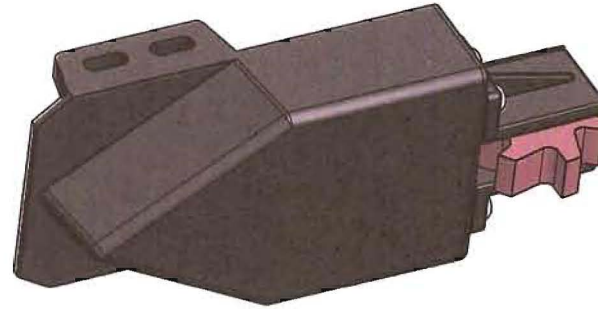
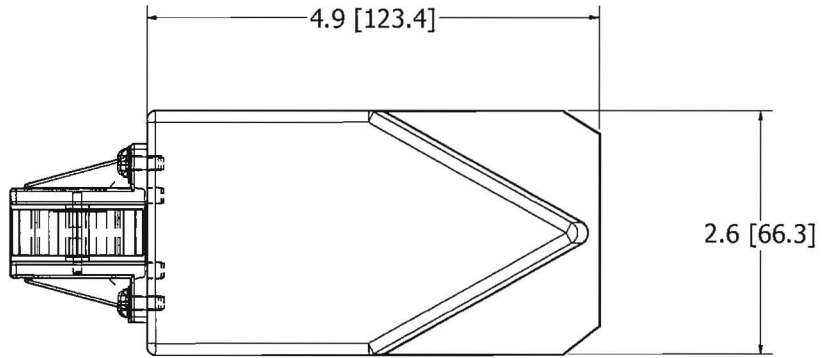
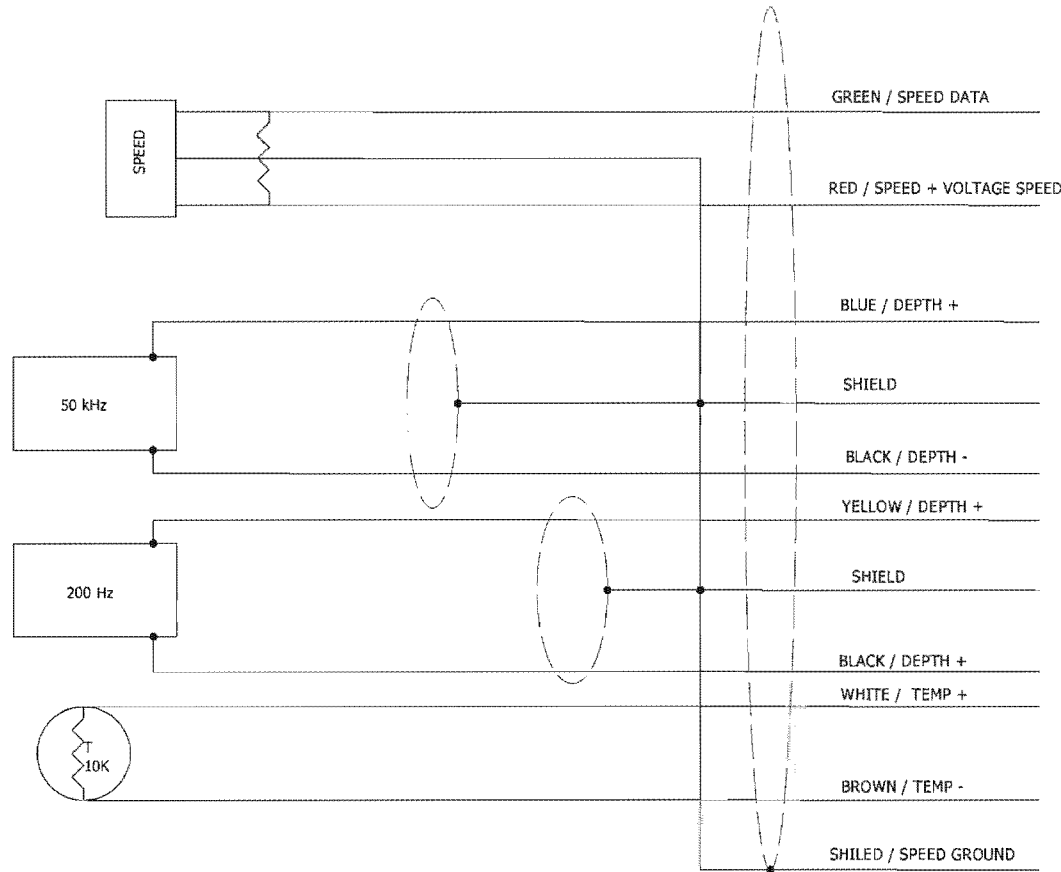


RADARSONICS INC.  
 THIS DOCUMENT CONTAINS PROPRIETARY INFORMATION AND,  
 EXCEPT WITH WRITTEN PERMISSION OF RADARSONICS INC.,  
 SUCH INFORMATION SHALL NOT BE PUBLISHED OR DISCLOSED TO  
 OTHERS IN HOLE OR IN PART TO ANYONE EXCEPT AUTHORIZED



UNLESS OTHERWISE SPECIFIED DIMENSIONS ARE IN INCHES TOLERANCES ARE: ANGLES +/- 0° 30' 3 PLACE DECIMALS +/- .010 2 PLACE DECIMALS +/- .03	DRAWN max chavez	RADARSONICS INC. 1190 N. GROVE ST. ANAHEIM, CA. 92806	
	CHECKED	TITLE <b>238 TRANSOM DEPTH / SPEED / TEMP</b>	
MATERIAL  ABS	QA	SIZE C	DWG NO
	MFG	SCALE	REV
	APPROVED	SHEET 1 OF 1	

RADARSONICS INC.  
 THIS DOCUMENT CONTAINS PROPRIETARY INFORMATION AND,  
 EXCEPT WITH WRITTEN PERMISSION OF RADARSONICS INC.,  
 SUCH INFORMATION SHALL NOT BE PUBLISHED OR DISCLOSED TO  
 OTHERS IN HOLE OR IN PART TO ANYONE EXCEPT AUTHORIZED



UNLESS OTHERWISE SPECIFIED  
 DIMENSIONS ARE IN INCHES  
 TOLERANCES ARE:  
 ANGLES +/- 0° 30'  
 3 PLACE DECIMALS +/- .010  
 2 PLACE DECIMALS +/- .03

MATERIAL

DRAWN	max chavez
CHECKED	
QA	
MFG	
APPROVED	

RADARSONICS INC.  
 1190 N. GROVE ST.  
 ANAHEIM, CA. 92806

TITLE		WIRING SCHEMATIC DEPTH / SPEED / TEMP	
SIZE	C	DWG NO	REV
SCALE		SHEET 1 OF 1	