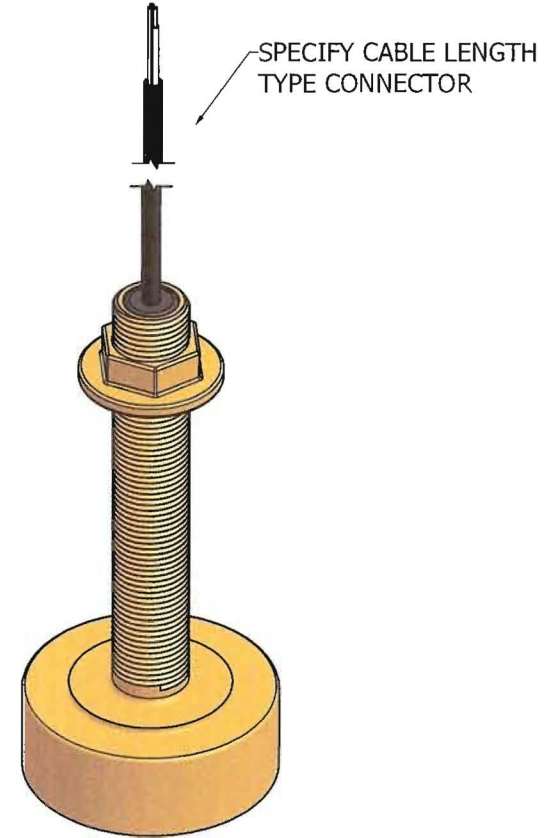
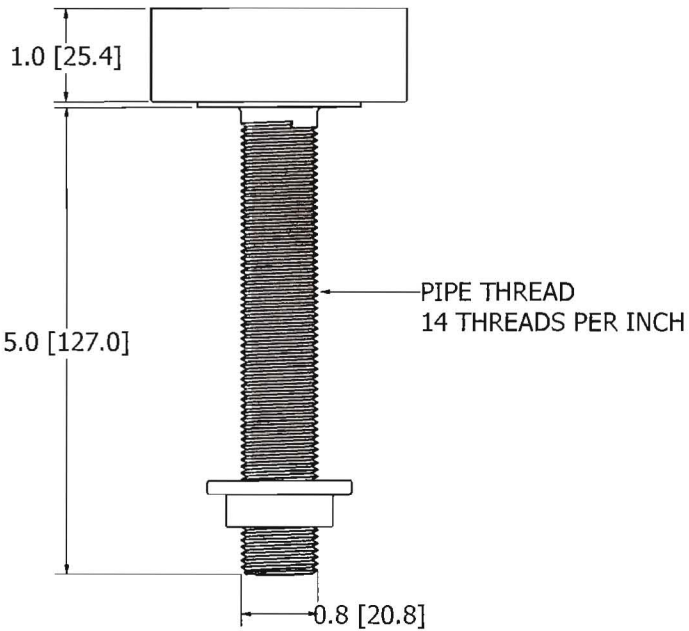
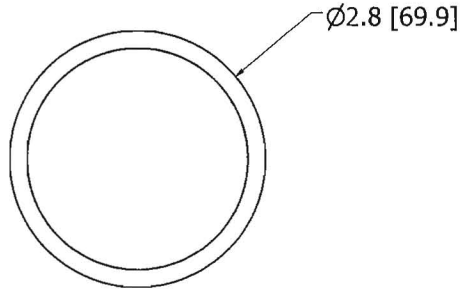
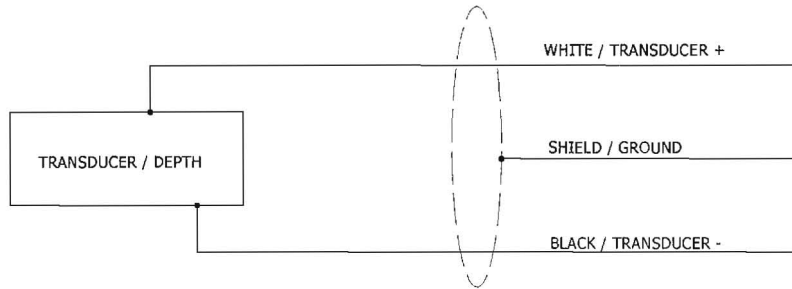


RADARSONICS INC.
 THIS DOCUMENT CONTAINS PROPRIETARY INFORMATION AND,
 EXCEPT WITH WRITTEN PERMISSION OF RADARSONICS INC.,
 SUCH INFORMATION SHALL NOT BE PUBLISHED OR DISCLOSED TO
 OTHERS IN HOLE OR IN PART TO ANYONE EXCEPT AUTHORIZED

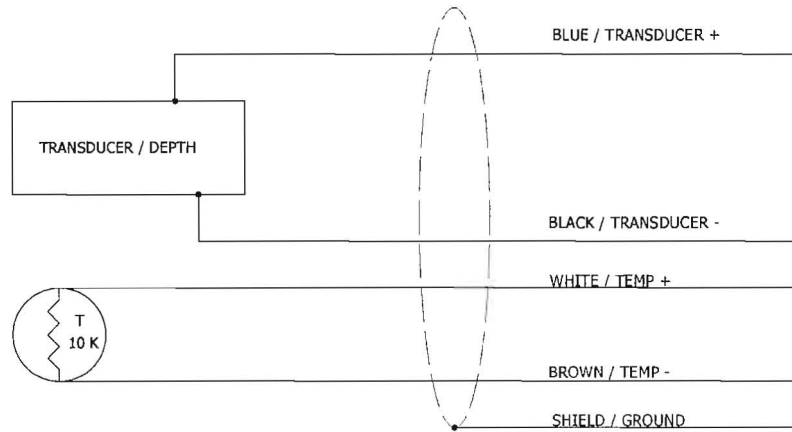


UNLESS OTHERWISE SPECIFIED DIMENSIONS ARE IN INCHES TOLERANCES ARE: ANGLES +/- 0° 30' 3 PLACE DECIMALS +/- .010 2 PLACE DECIMALS +/- .03	DRAWN max chavez		RADARSONICS INC. 1190 N. GROVE ST. ANAHEIM, CA. 92806	
	CHECKED		TITLE 201 ROUND	
MATERIAL BRONZE	QA		SIZE C	DWG NO.
	MFG		SCALE	REV
	APPROVED		SHEET 1 OF 1	

RADARSONICS INC.
 THIS DOCUMENT CONTAINS PROPRIETARY INFORMATION AND,
 EXCEPT WITH WRITTEN PERMISSION OF RADARSONICS INC.
 SUCH INFORMATION SHALL NOT BE PUBLISHED OR DISCLOSED TO
 OTHERS IN HOLE OR IN PART TO ANYONE EXCEPT AUTHORIZED



TRANSDUCER WITH DEPTH ONLY



TRANSDUCER WITH DEPTH / TEMP

UNLESS OTHERWISE SPECIFIED DIMENSIONS ARE IN INCHES TOLERANCES ARE: ANGLES +/- 0° 30' 3 PLACE DECIMALS +/- .010 2 PLACE DECIMALS +/- .03 MATERIAL	DRAWN max chavez	RADARSONICS INC. 1190 N. GROVE ST. ANAHEIM, CA. 92806		
	CHECKED	TITLE WIRING SCHEMATIC DEPTH ONLY DEPTH / TEMP		
	QA	SIZE C	DWG NO	REV
	MFG	SCALE		
	APPROVED	SHEET 1 OF 1		