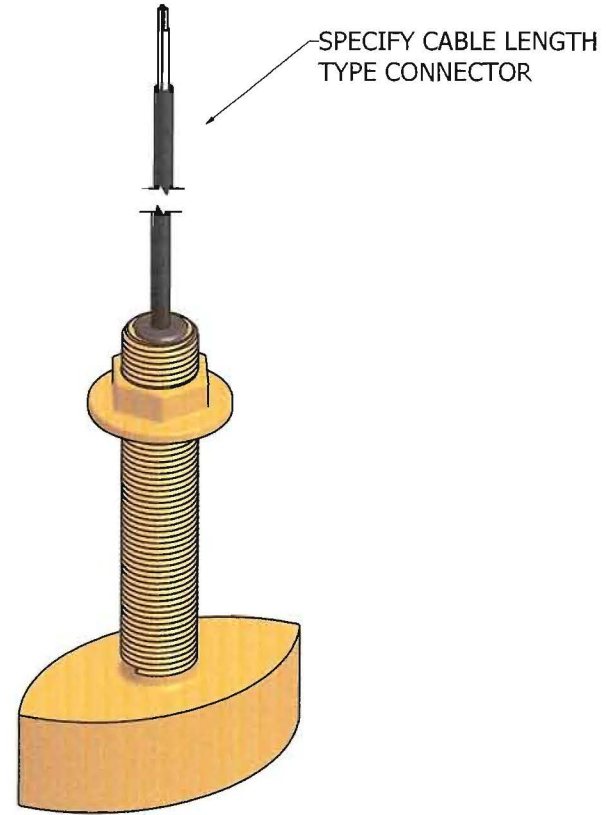
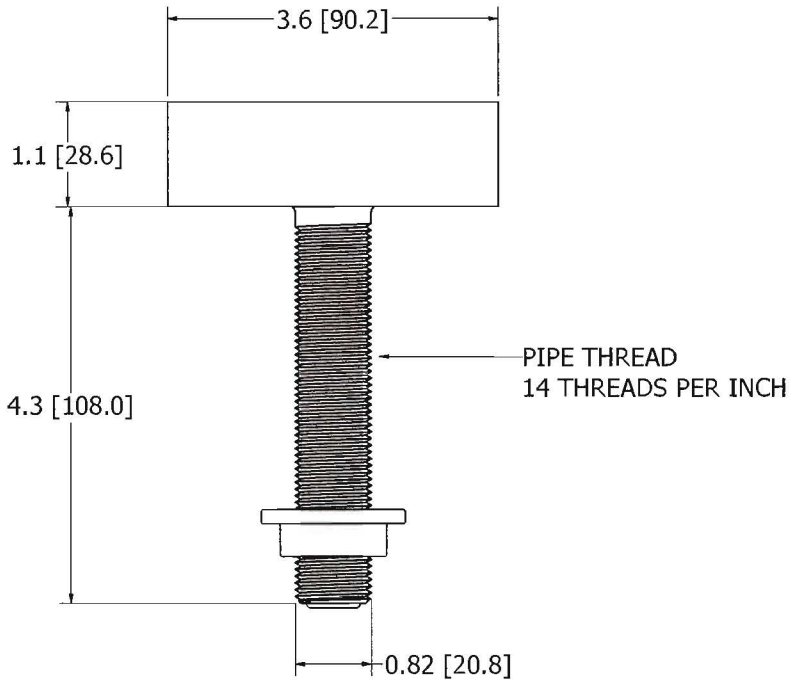
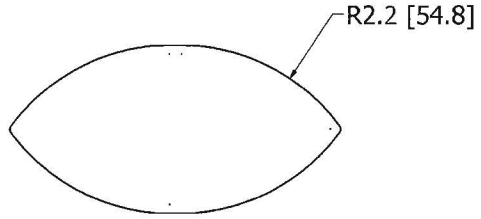
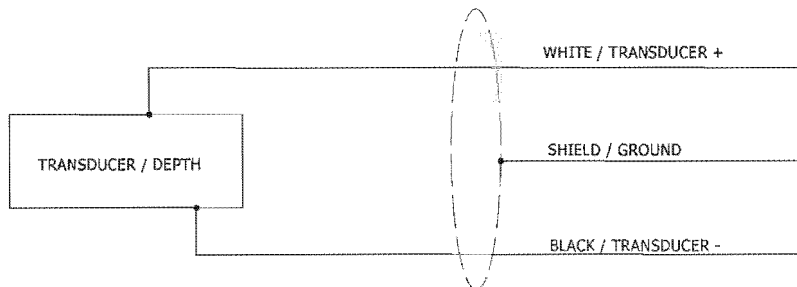


RADARSONICS INC.  
 THIS DOCUMENT CONTAINS PROPRIETARY INFORMATION AND,  
 EXCEPT WITH WRITTEN PERMISSION OF RADARSONICS INC.  
 SUCH INFORMATION SHALL NOT BE PUBLISHED OR DISCLOSED TO  
 OTHERS IN HOLE OR IN PART TO ANYONE EXCEPT AUTHORIZED

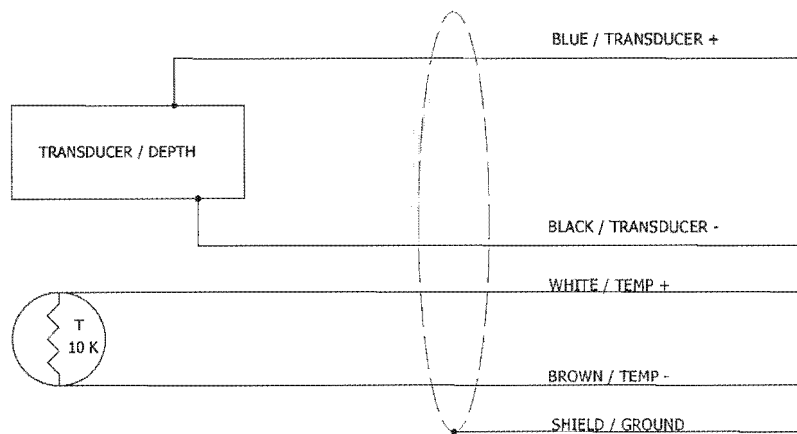


UNLESS OTHERWISE SPECIFIED DIMENSIONS ARE IN INCHES TOLERANCES ARE: ANGLES +/- 0° 30' 3 PLACE DECIMALS +/- .010 2 PLACE DECIMALS +/- .03	DRAWN	RADARSONICS INC.		
	max chavez	1190 N. GROVE ST.		
	CHECKED	ANAHEIM, CA. 92806		
	QA	TITLE		
MFG	206 HOUSING			
APPROVED	SIZE	DWG NO	REV	
	C			
MATERIAL	SCALE	SHEET 1 OF 1		
BRONZE				

RADARSONICS INC.  
 THIS DOCUMENT CONTAINS PROPRIETARY INFORMATION AND,  
 EXCEPT WITH WRITTEN PERMISSION OF RADARSONICS INC.  
 SUCH INFORMATION SHALL NOT BE PUBLISHED OR DISCLOSED TO  
 OTHERS IN HOLE OR IN PART TO ANYONE EXCEPT AUTHORIZED



**TRANSDUCER WITH DEPTH ONLY**



**TRANSDUCER WITH DEPTH / TEMP**

UNLESS OTHERWISE SPECIFIED  
 DIMENSIONS ARE IN INCHES  
 TOLERANCES ARE:  
 ANGLES +/- 0° 30'  
 3 PLACE DECIMALS +/- .010  
 2 PLACE DECIMALS +/- .03

**MATERIAL**

DRAWN	max chavez
CHECKED	
QA	
MFG	
APPROVED	

RADARSONICS INC.  
 1190 N. GROVE ST.  
 ANAHEIM, CA. 92806

TITLE		
WIRING SCHEMATIC		
DEPTH ONLY		
DEPTH / TEMP		
SIZE	DWG NO	REV
C		
SCALE	SHEET 1 OF 1	