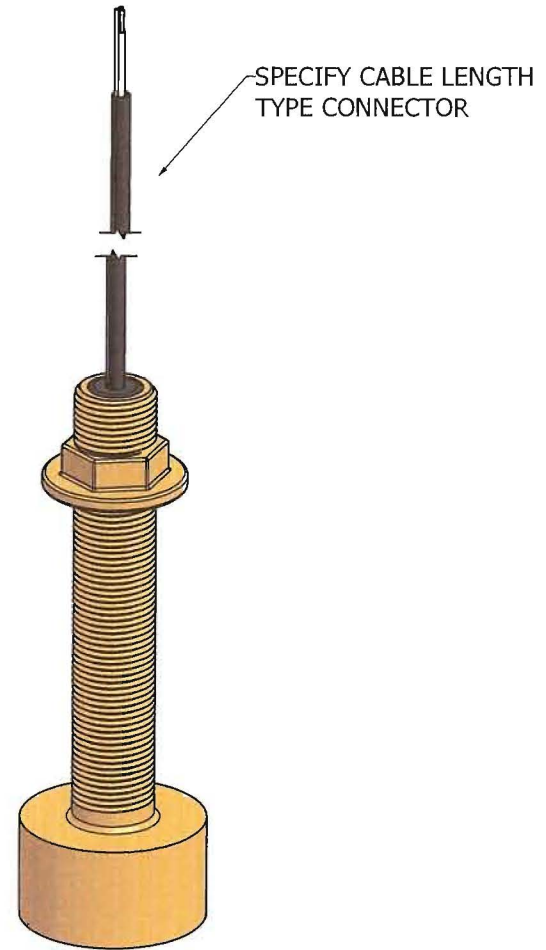
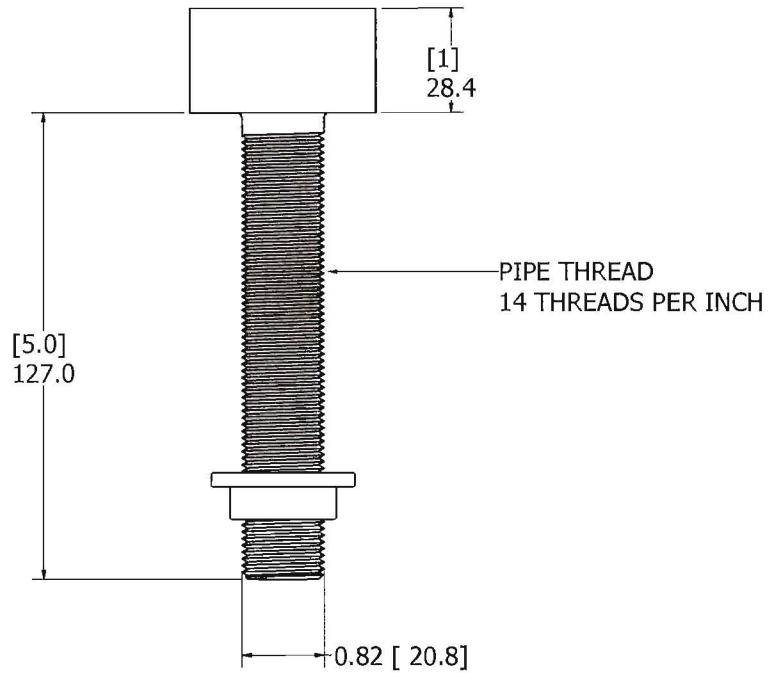
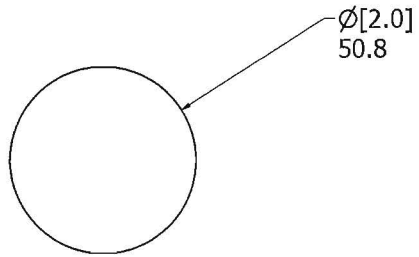
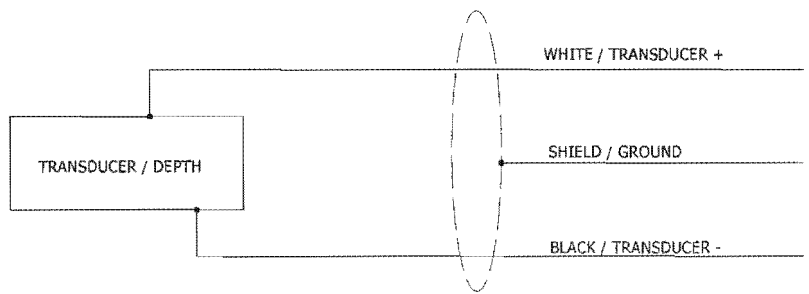


RADARSONICS INC.
 THIS DOCUMENT CONTAINS PROPRIETARY INFORMATION AND,
 EXCEPT WITH WRITTEN PERMISSION OF RADARSONICS INC.,
 SUCH INFORMATION SHALL NOT BE PUBLISHED OR DISCLOSED TO
 OTHERS IN HOLE OR IN PART TO ANYONE EXCEPT AUTHORIZED

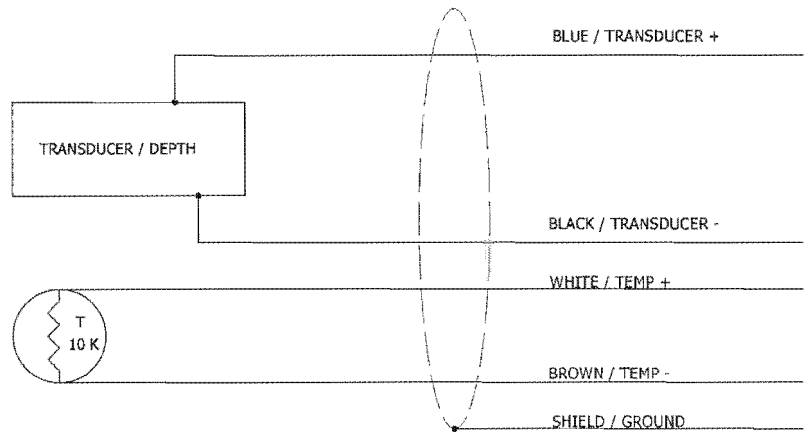


UNLESS OTHERWISE SPECIFIED DIMENSIONS ARE IN INCHES TOLERANCES ARE: ANGLES +/- 0° 30' 3 PLACE DECIMALS +/- .010 2 PLACE DECIMALS +/- .03	DRAWN max chavez		RADARSONICS INC. 1190 N. GROVE ST. ANAHEIM, CA. 92806	
	CHECKED		TITLE 205 HOUSING	
MATERIAL BRONZE	QA		SIZE C	DWG NO
	MFG		SCALE	REV
	APPROVED		SHEET 1 OF 1	

RADARSONICS INC.
 THIS DOCUMENT CONTAINS PROPRIETARY INFORMATION AND,
 EXCEPT WITH WRITTEN PERMISSION OF RADARSONICS INC.
 SUCH INFORMATION SHALL NOT BE PUBLISHED OR DISCLOSED TO
 OTHERS IN HOLE OR IN PART TO ANYONE EXCEPT AUTHORIZED



TRANSDUCER WITH DEPTH ONLY



TRANSDUCER WITH DEPTH / TEMP

UNLESS OTHERWISE SPECIFIED
 DIMENSIONS ARE IN INCHES
 TOLERANCES ARE:
 ANGLES +/- 0' 30"
 3 PLACE DECIMALS +/- .010
 2 PLACE DECIMALS +/- .03

MATERIAL

DRAWN	max chavez
CHECKED	
QA	
MFG	
APPROVED	

RADARSONICS INC.
 1190 N. GROVE ST.
 ANAHEIM, CA. 92806

TITLE
**WIRING SCHEMATIC
 DEPTH ONLY
 DEPTH / TEMP**

SIZE	DWG NO	REV
C		
SCALE	SHEET 1 OF 1	