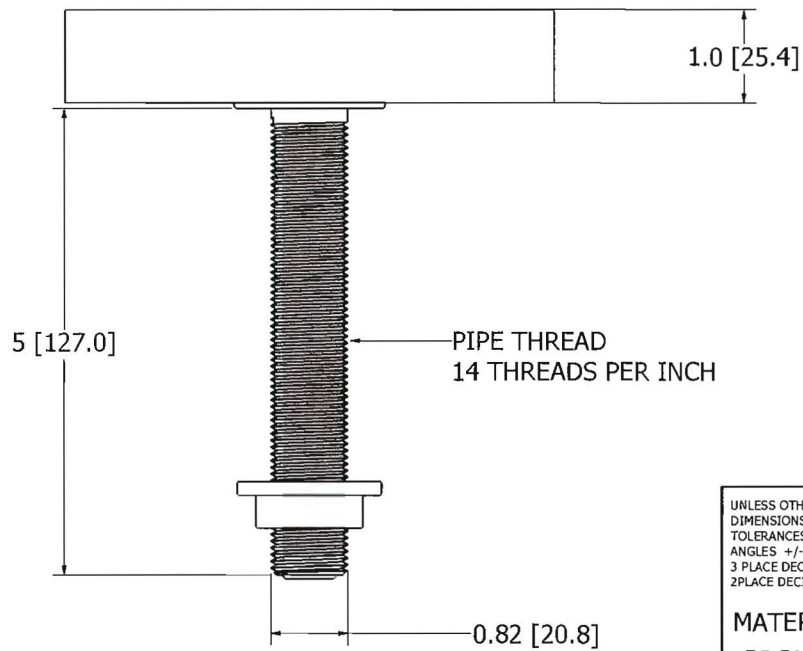
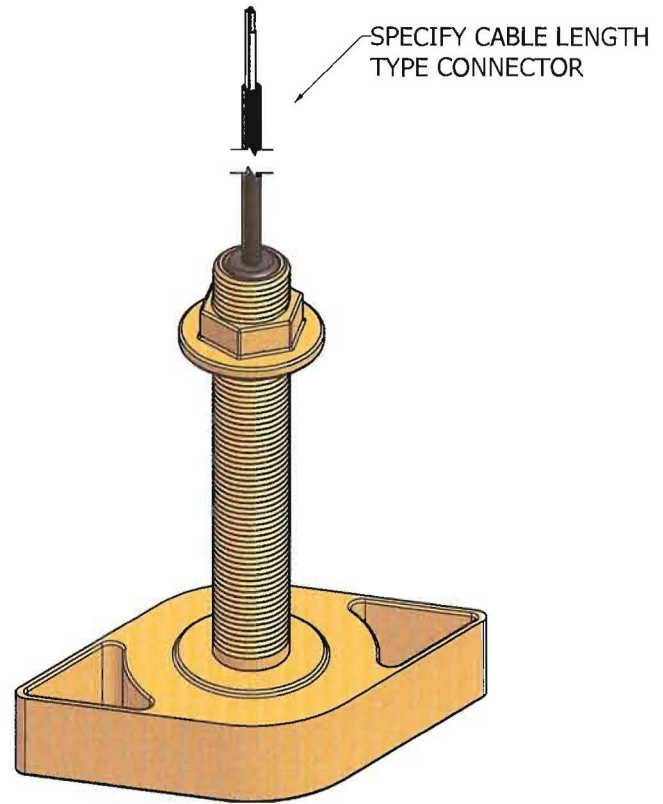
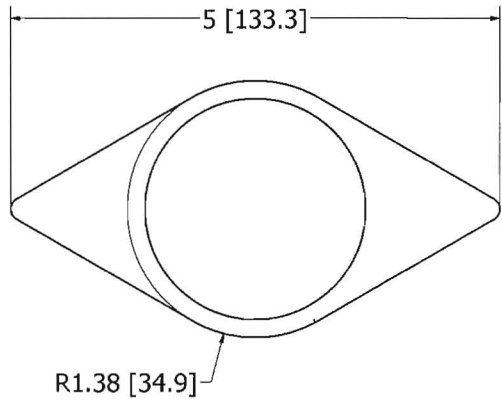


RADARSONICS INC.
 THIS DOCUMENT CONTAINS PROPRIETARY INFORMATION AND,
 EXCEPT WITH WRITTEN PERMISSION OF RADARSONICS INC.,
 SUCH INFORMATION SHALL NOT BE PUBLISHED OR DISCLOSED TO
 OTHERS IN HOLE OR IN PART TO ANYONE EXCEPT AUTHORIZED



UNLESS OTHERWISE SPECIFIED
 DIMENSIONS ARE IN INCHES
 TOLERANCES ARE:
 ANGLES +/- 0° 30'
 3 PLACE DECIMALS +/- .010
 2 PLACE DECIMALS +/- .03

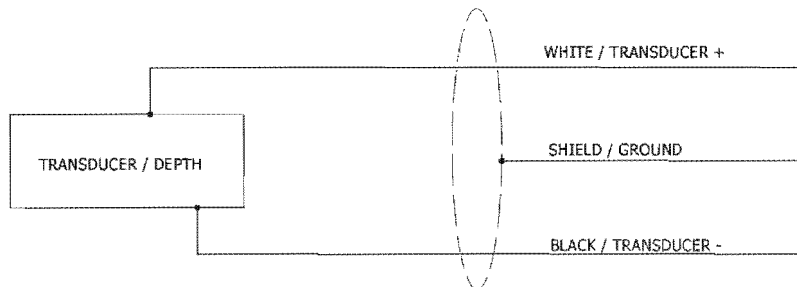
**MATERIAL
 BRONZE**

DRAWN	max chavez
CHECKED	
QA	
MFG	
APPROVED	

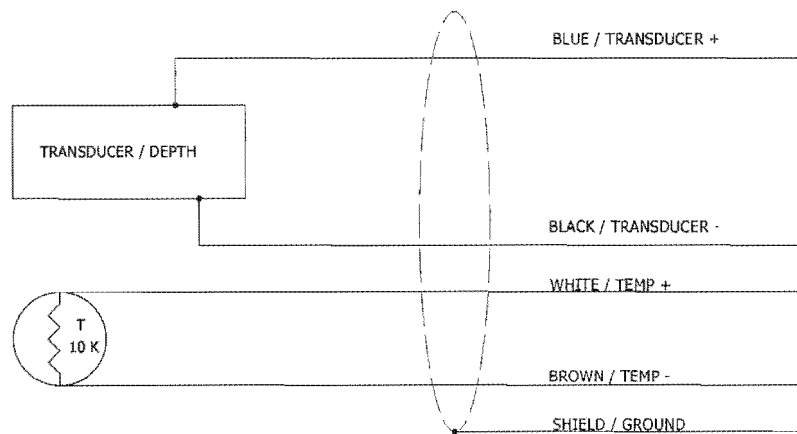
RADARSONICS INC.
 1190 N. GROVE ST.
 ANAHEIM, CA. 92806

TITLE		
203 HOUSING		
SIZE	DWG NO	REV
C		
SCALE	SHEET 1 OF 1	

RADARSONICS INC.
 THIS DOCUMENT CONTAINS PROPRIETARY INFORMATION AND,
 EXCEPT WITH WRITTEN PERMISSION OF RADARSONICS INC.
 SUCH INFORMATION SHALL NOT BE PUBLISHED OR DISCLOSED TO
 OTHERS IN HOLE OR IN PART TO ANYONE EXCEPT AUTHORIZED



TRANSDUCER WITH DEPTH ONLY



TRANSDUCER WITH DEPTH / TEMP

UNLESS OTHERWISE SPECIFIED
 DIMENSIONS ARE IN INCHES
 TOLERANCES ARE:
 ANGLES +/- 0' 30"
 3 PLACE DECIMALS +/- .010
 2 PLACE DECIMALS +/- .03

MATERIAL

DRAWN	max chavez
CHECKED	
QA	
MFG	
APPROVED	

RADARSONICS INC.
 1190 N. GROVE ST.
 ANAHEIM, CA. 92806

TITLE		WIRING SCHEMATIC	
		DEPTH ONLY	
		DEPTH / TEMP	
SIZE	DWG NO	REV	
C			
SCALE	SHEET 1 OF 1		