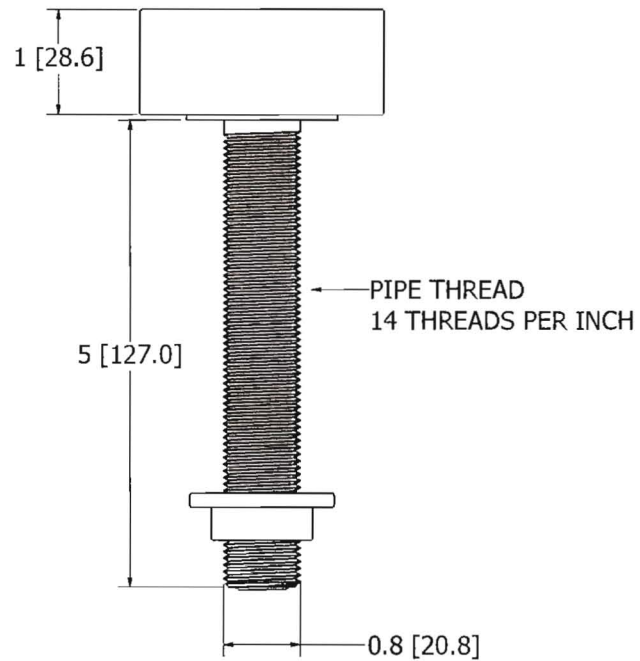
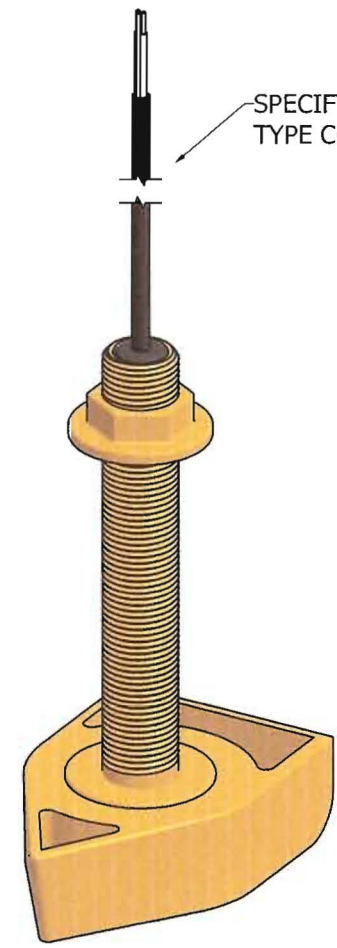
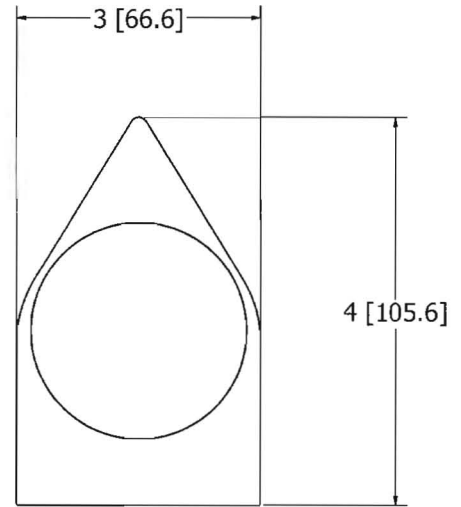


RADARSONICS INC.  
 THIS DOCUMENT CONTAINS PROPRIETARY INFORMATION AND,  
 EXCEPT WITH WRITTEN PERMISSION OF RADARSONICS INC.,  
 SUCH INFORMATION SHALL NOT BE PUBLISHED OR DISCLOSED TO  
 OTHERS IN HOLE OR IN PART TO ANYONE EXCEPT AUTHORIZED



UNLESS OTHERWISE SPECIFIED  
 DIMENSIONS ARE IN INCHES  
 TOLERANCES ARE:  
 ANGLES +/- 0° 30'  
 3 PLACE DECIMALS +/- .010  
 2 PLACE DECIMALS +/- .03

**MATERIAL**  
 BRONZE

DRAWN	max chavez
CHECKED	
QA	
MFG	
APPROVED	

RADARSONICS INC. 1190 N. GROVE ST. ANAHEIM, CA. 92806	
TITLE <b>201 HOUSING</b>	
SIZE C	DWG NO
SCALE	REV
SHEET 1 OF 1	